

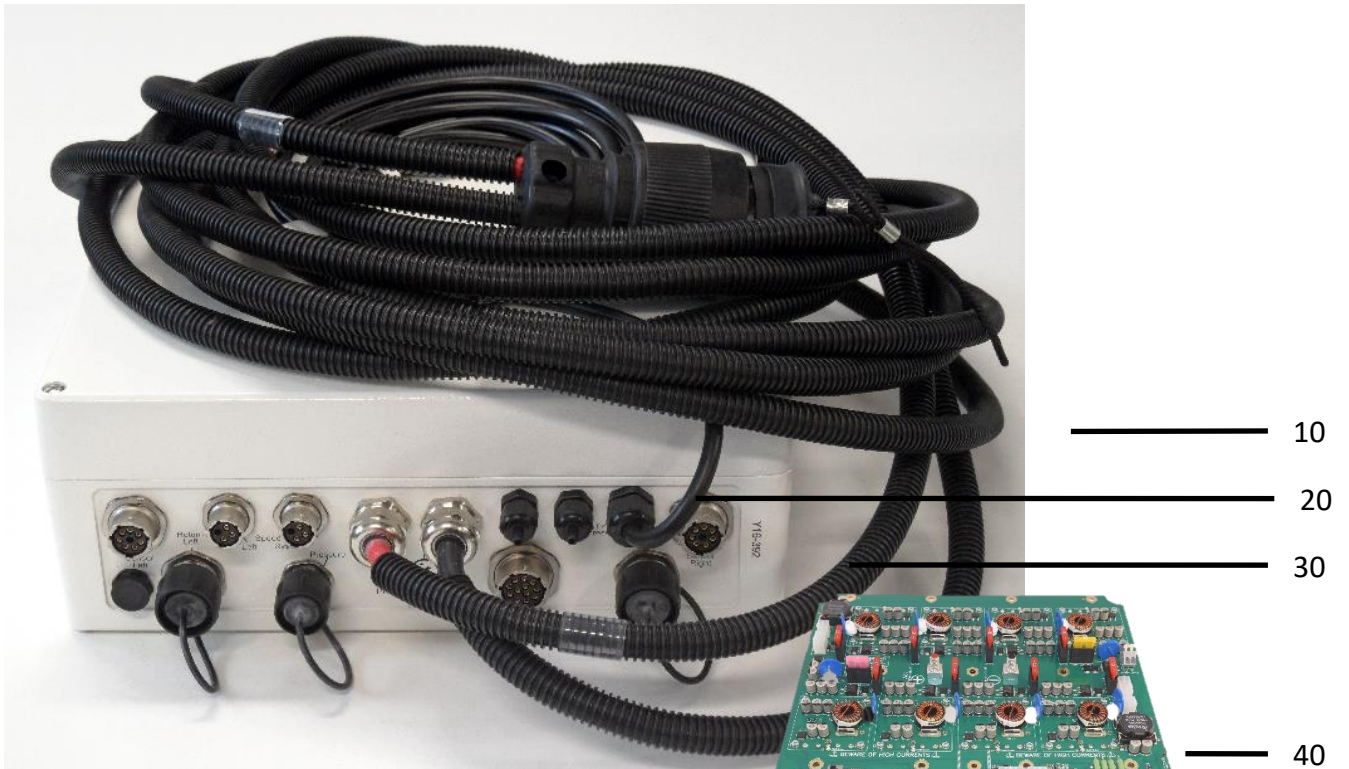
WEEDit PARTS INFORMATION



Version 3

Service and Parts advice

Specifications subject to change without notice.



10

20

30

40



50



60



70



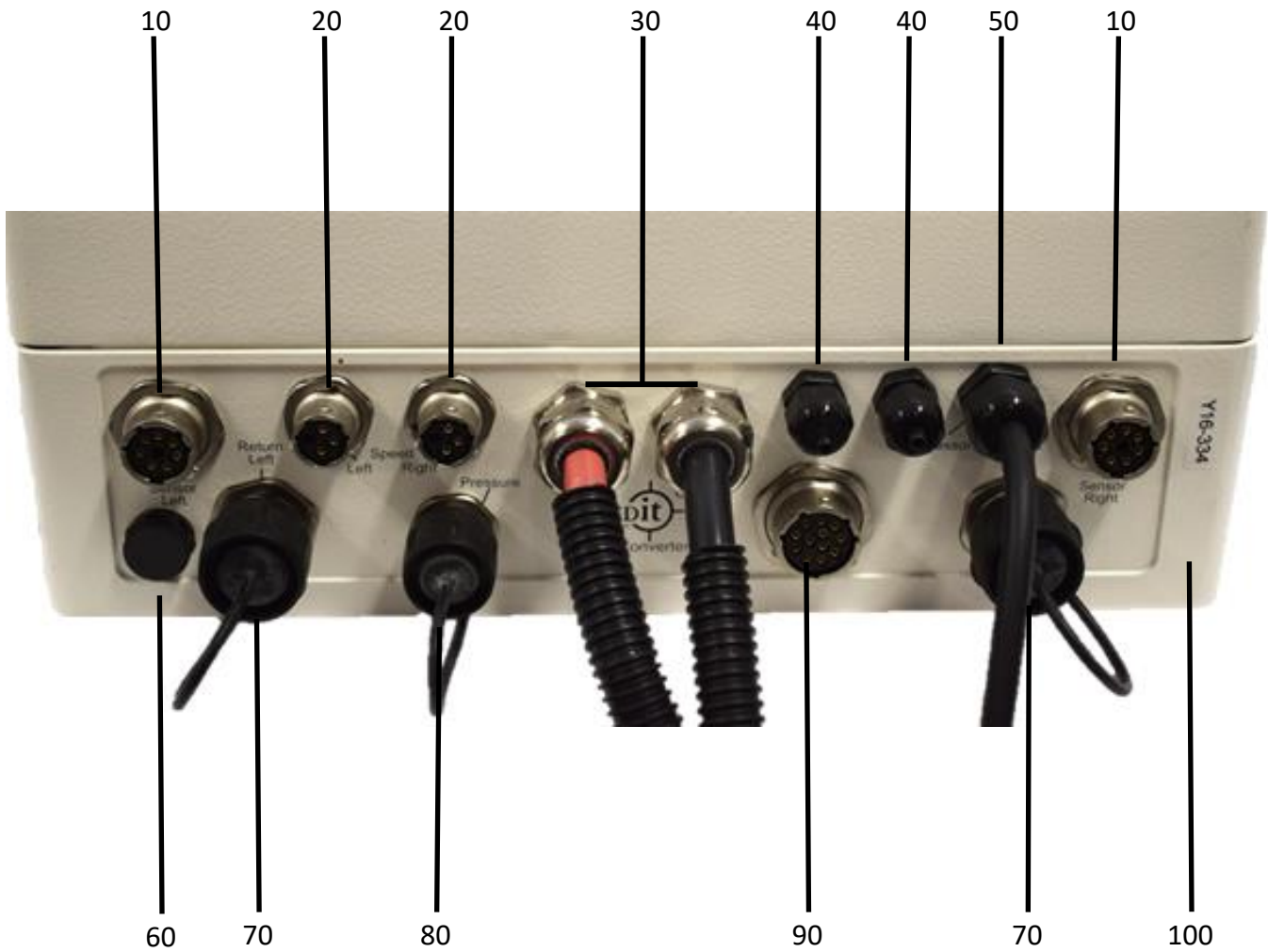
80



90

WEEDit Ag power converter

| Reference | Description | Part number |
|-----------|---|-----------------------------|
| 10 | WEEDit Ag power converter complete, 12-48 VDC - 600W (wald box) | WI46004600 |
| 20 | Power-switch cable for compressor | CBLOOM/COMPWI |
| 30 | Power cable connector to Wald, 2x 35mm ² , 6 mtr | WI46004675 |
| 40 | Circuit Board, power converter 12-48VDC, 600W, Wald Circuit Board wald box 12V to 48V (exchange) | WI46004605 WI46004605-EX |
| 50 | Wall connector, 2x 35mm ² (tractor end) | WI46004671 |
| | Socket contact 35mm ² | N/A |
| 60 | Plug connector, 2x 35mm ² (wald box end) | WI46004676 |
| 70 | Power cable battery to connector, inline fuse, 5 mtr | WI46004673 |
| 80 | WEEDit Ag small pwr convert, 12-48 VDC -150W, 5m cable (wald box small weedit) | WI46004603 |
| 90 | Circuit Board, power converter 12-48 VDC, 150W, MiniWald | N/A |



WEEDit Ag power converter plugs

| Reference | Description | Part number |
|-----------|--|-------------|
| 10 | Jam nut metal shell 12, 8 way, socket contact, IP68 (Detection sensor) | WI46004562 |
| 20 | Jam nut metal shell 10, 4 way, socket contact, IP68 (Wheel speed sensor) | N/A |
| 30 | Gland nut M20 x 1,5, Brass | N/A |
| 40 | Cable gland PG7 | N/A |
| | Gland nut PG7 | N/A |
| | O-ring for cable gland PG7 | N/A |
| 50 | Cable gland M16 x 1,5 | N/A |
| 60 | Breather plug, M12 x 1,5, IP67 | WI46001408 |
| 70 | Jam nut metal shell 12, 8 way, socket contact, IP68 (Sensor return) | WI46004562 |
| | Dustcap for shell 12 (8 way) Jam nut (Sensor return) | WI46004572 |
| 80 | Jam nut metal shell 10, 4 way, socket contact, IP68 (Pressure sensor) | N/A |
| | Dustcap for shell 10 (4 way) Jam nut | WI46004571 |
| 90 | Jam nut metal shell 14, 12 way, socket contact, IP68 (Console) | N/A |
| 100 | Enclosure Wald Power Converter, White | N/A |



10

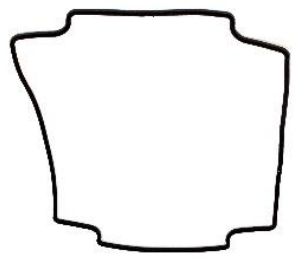


20

30



40



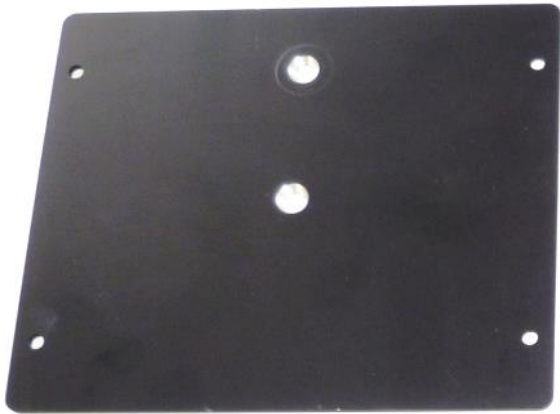
50



60

WEEDit Ag user console

| Reference | Description | Part number |
|------------------|--|--------------------|
| 10 | WEEDit Ag User console (Exchange - WI46004505-EX) | WI46004505 |
| 20 | Lid WEEDit Ag user console, incl window and keypad | N/A |
| 30 | Console side strip | WI46001706 |
| 40 | Keypad WEEDit Ag user console | N/A |
| 50 | Gasket for WEEDit Ag user console | N/A |
| 60 | Circuitboard WEEDit Ag user console, Greedo | N/A |



10



20



30



40



50



60



70



80



90



100

WEEDit Ag user console connection

| Reference | Description | Part number |
|-----------|---|-------------|
| 10 | Mounting plate for Weed-IT Ag console, black anodized | WI46004518 |
| 20 | Bolt M5 x 16, countersunk | WI46052116 |
| 30 | Flat washer M5 | N/A |
| 40 | Nyloc nut M5 | WI46051005 |
| 50 | Ram Mount for console WEEDit Ag | WI46004517 |
| 60 | Bolt M4 x 25 | N/A |
| 70 | Flat washer M4 | N/A |
| 80 | Nyloc nut M4 | N/A |
| 90 | Console cable, 2x plug, 5 mtr | WI46004515 |
| 100 | Console extension cable, in-line-plug, 5 mtr | WI46004511 |



10



20



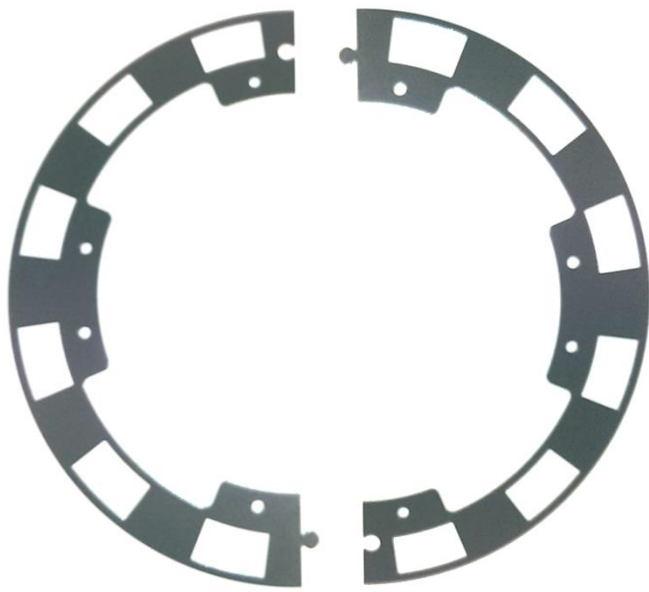
30



40

WEEDit Ag wheel speed sensor (Hall)

| Reference | Description | Part number |
|------------------|---|--------------------------|
| 10 | Magnet for use with speed sensor | WI46001840 |
| 20 | Mounting bolt for magnet, M4 x 12, countersunk, St. steel | N/A |
| 30 | Speed sensor Hall with connector, PP tubing, 5 mtr Omron induction speed sensor 18mm | WI46004522 WI46001803 |
| 40 | Speed sensor extension cable, PP tube, 5 mtr | WI46004525 |



10



20

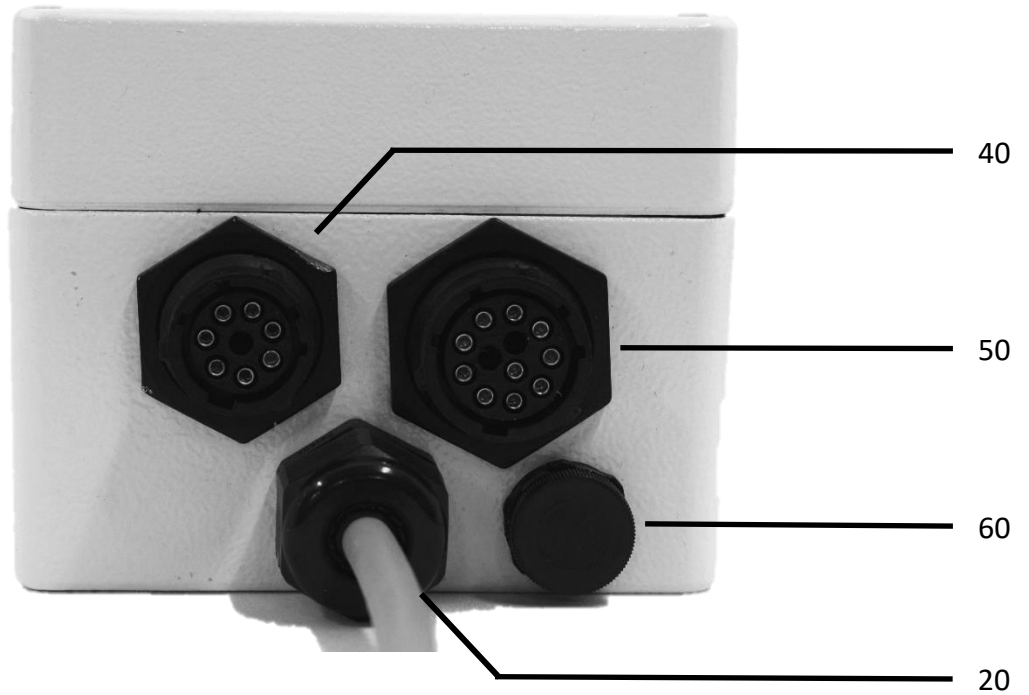
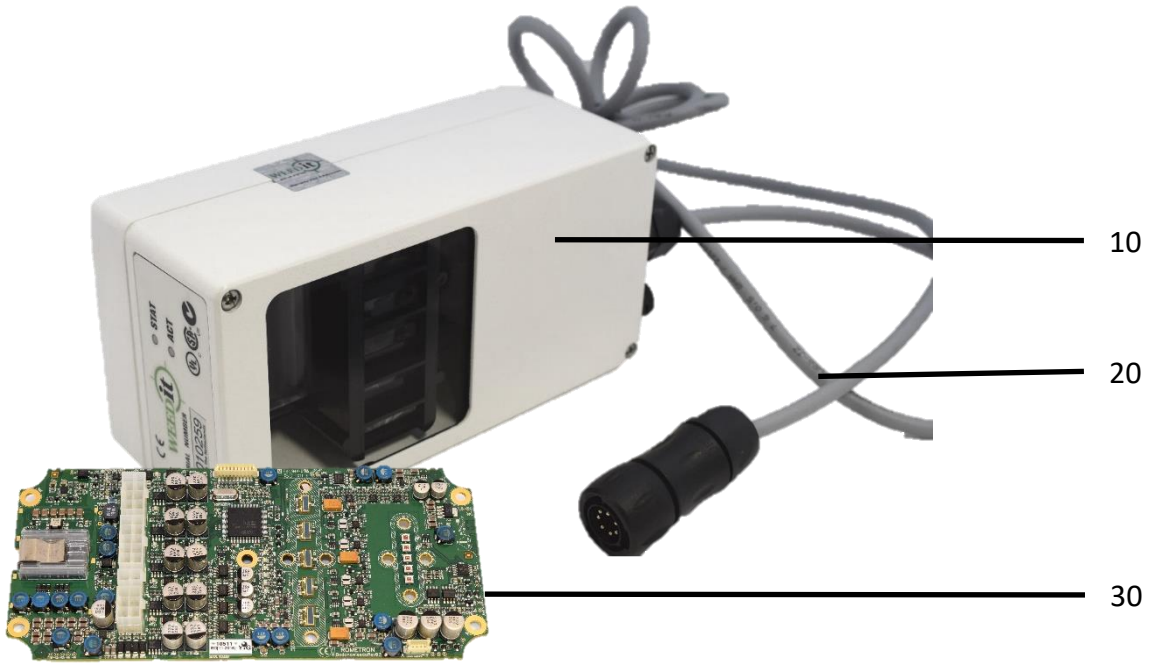
30



40

WEEDit Ag wheel speed sensor (Induction)

| Reference | Description | Part number |
|------------------|---|--------------------------|
| 10 | Half ring for induction speed sensor | BP-700C-9-1 |
| 20 | Omron induction sensor, 18mm, 12-24VDC, M12 connector, incl nuts | WI46001803 |
| 30 | Induction Sensor cable M12 - 4 way plug, 5 mtr Item 20&30 together - Speed sensor induction 5m cable | WI46004426 WI46004521 |
| 40 | Speed sensor extension cable, 10 m., PP tube | WI46004525 |



WEEDit Ag detection sensor (1)

| Reference | Description | Part number |
|-----------|--|--------------------------------|
| 10 | WEEDit Ag detection sensor, version 2 WEEDIT EXCHANGE SENSOR , VERS 2 | WI46004402A-1 WI46004407-EX |
| | WEEDit Ag detection sensor, version 1 | N/A |
| 20 | Sensor connection cable, 2,2 mtr | N/A |
| 30 | Circuitboard, WEEDit Ag detection sensor, Bodona V2 | N/A |
| 40 | Souriau UTS Jam nut, 8 way, Female contact, IP68 | WI46004552 |
| 50 | Souriau UTS Jam nut, 12 way, Female contact, IP68 | WI46004553 |
| 60 | Breather plug, M12x1,5, IP67 | WI46001408 |



10



20



30



40



50



60

WEEDit Ag detection sensor cabling

| Reference | Description | Part number |
|-----------|--|-------------|
| 10 | Solenoid connection cable V1 – RO1.1, 5x CNE connector, 150cm | WI46004417 |
| 30 | Solenoid connection cable V3 XL - RO1.3L, 5x TE connector, 200cm | WI46004414 |
| 40 | Extension cable WEEDit Ag sensor, plug-inline plug, 2 mtr | WI46004421 |
| 50 | Extension cable WEEDit Ag sensor, plug-inline plug, 5 mtr | WI46004422 |
| 50 | Extension cable Weed-IT Ag sensor, plug-inline plug, 10 mtr | WI46004423 |
| 60 | Power return cable WEEDit Ag sensor, 2x plug, 25 mtr | WI46004425 |
| | | |



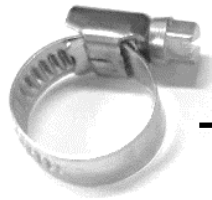
10



20



30



40



50



60



70



80



90



100



110

WEEDit Ag detection sensor kit

| Reference | Description | Part number |
|-----------|--|-------------|
| 10 | QuickJet Cap, nylon, black includes seal | 25612-1-NYR |
| 20 | Seat gasket (EPDM) for Quick TeeJet Cap | CP19438-EPR |
| 30 | Gasket flat black for solenoid | WI46002088 |
| | Gasket booted black for solenoid | N/A |
| 40 | Hose clamp, 12-20mm, stainless steel | TR12HC |
| 50 | Spring washer M6, St. steel | N/A |
| 60 | Flat washer M6, St. steel | N/A |
| 70 | Bolt M6x16, St. steel | N/A |
| 80 | WEEDit Ag solenoid V1, PP cuerpo negro, 1/4" in-out bobina 30V-5W para manguera | WI46004452 |
| 90 | WEEDit Ag solenoid V2, for PWM, 2x 15mm push fit, 12V-5W, 1,6 L/min (version 2) | WI46004453 |
| 100 | WEEDit Ag solenoid V3, for PWM, 2x 15mm Push fit, PA6.6 bajonet body, FPV - OBSELETE (version 3) | WI46004454 |
| 110 | WEEDit Ag solenoid V4, for PWM, 2x 15mm Push fit, PA6.6 bajonet body, J-Coil TE, FPV (version 4) | WI46004456 |



10



20



30



40



50

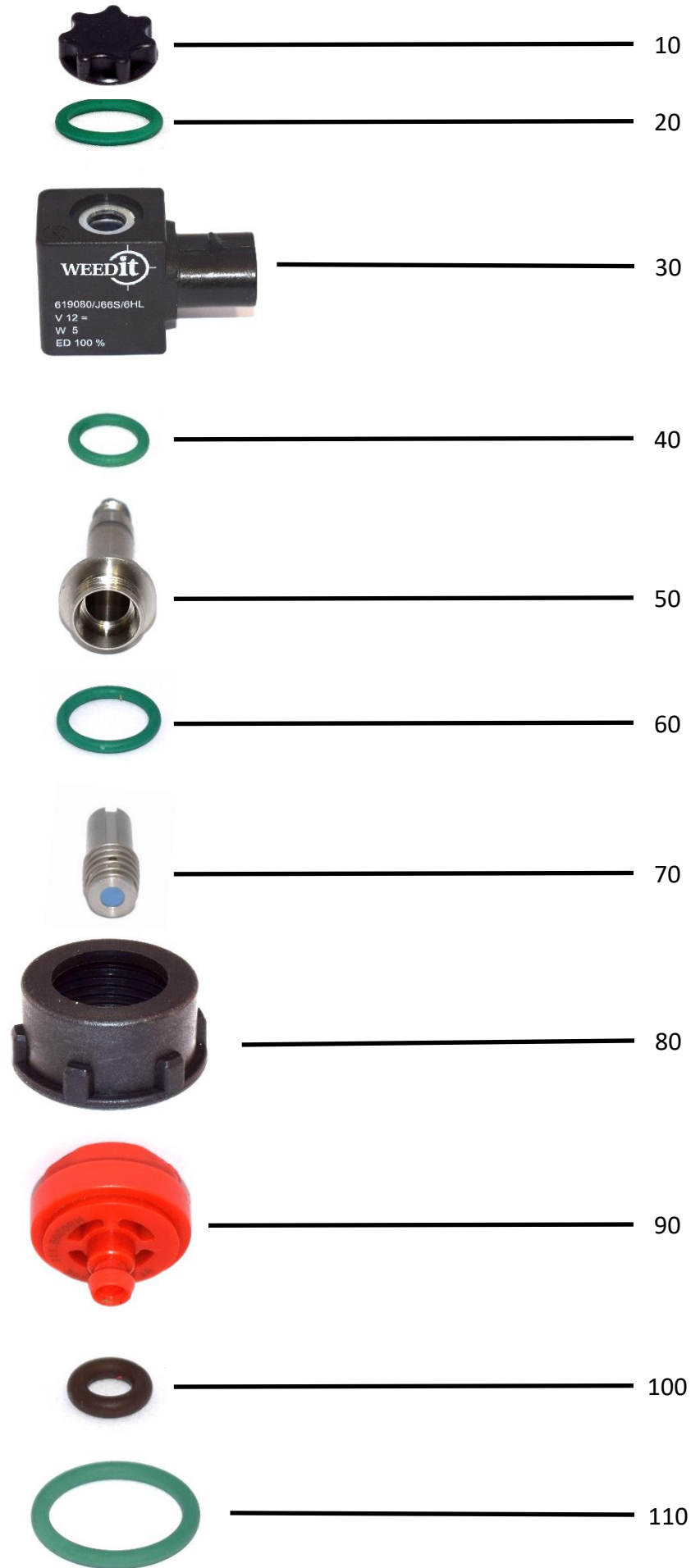


60



WEEDit Ag retrofit solenoids

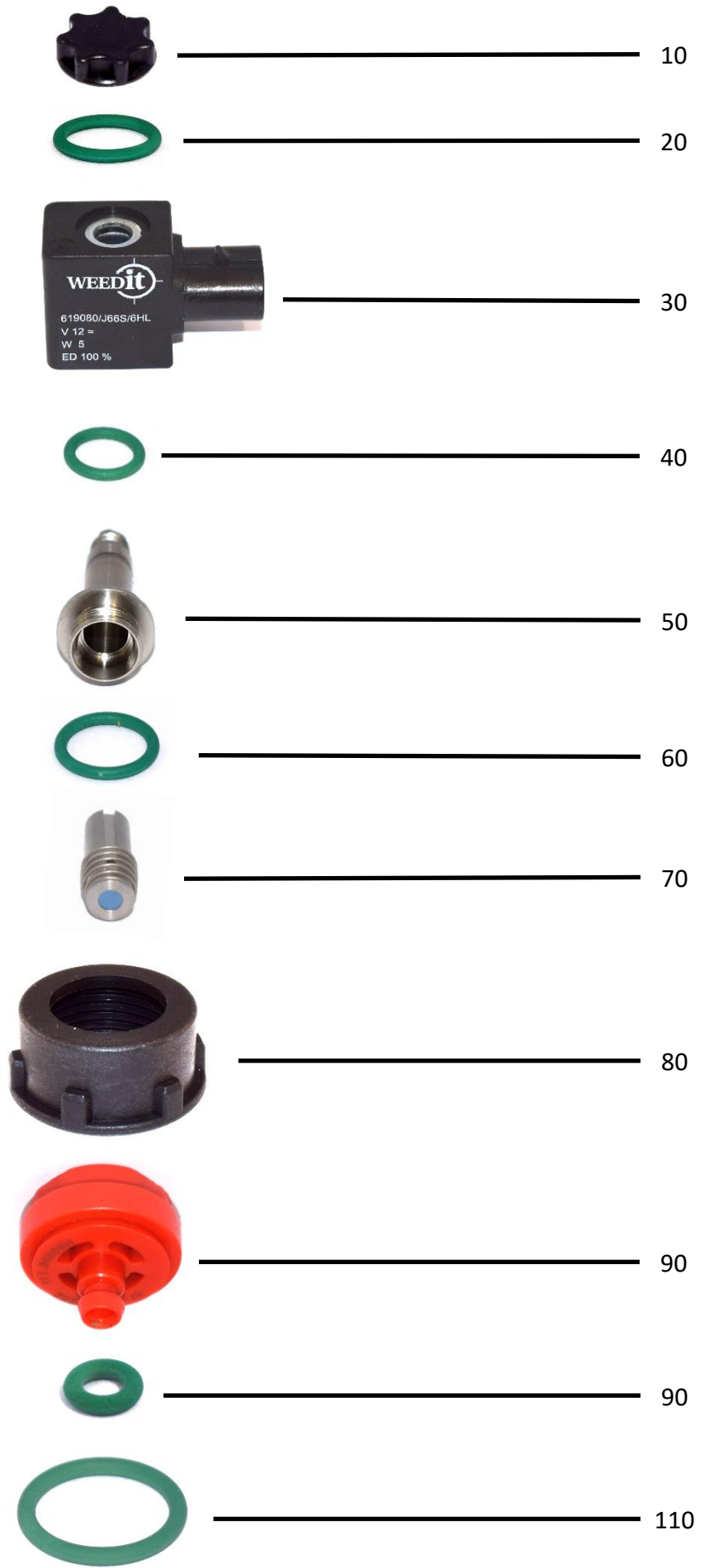
| Reference | Description | Part number |
|-----------|--|-------------|
| 10 | Solenoid, Retrofit, PP, 3S20, Brown O-ring <i>Arag, Hypro [Fits Ø 7.2 - 7.9mm]</i> | WI47004400 |
| 20 | Solenoid, Retrofit, PP, 3S20, Green O-ring <i>Teejet (small) [Fits Ø 6.8 - 7.4mm]</i> | WI47004405 |
| 30 | Solenoid, Retrofit, PP, 3P20, Black O-ring <i>Teejet (big), Wilger [Fits Ø 7.75 - 8.35mm]</i> | WI47004410 |
| 40 | Arag single nozzle holder, check valve, 1" | A402765 |
| 50 | Arag quick cap, black, incl rubber suit hollow cone nozzle | A40290501 |
| 60 | Arag quick fitting cap, green, incl rubber | A40290505 |



Solenoid, Retrofit, PP, 3S20, Brown O-ring (47004400)

Arag, Hypro [Fits Ø 7.2 - 7.9mm]

| Reference | Description | Part number |
|-----------|--|-------------|
| 10 | Nut for coil, PP-15%, 7 way grip | WI47004475 |
| 20 | O-ring for J-coil, under nut, 12.5x2.0mm, green, viton | WI46003067 |
| 30 | J-coil, 12V=5W, integrated superseal 1.5 | WI46003065 |
| 40 | O-ring for solenoid plunger tube, 8,73 x 1,78mm, viton | WI46004440 |
| 50 | Tube operator, M14x1, SS, extended 7mm square | WI47004470 |
| 60 | O-ring for tube operator M14, 11.11x1.78mm, green, viton | WI47004467 |
| 70 | Plunger stainless steel with grooves, FPV – Viton Plus seal, PTFE bumpstop 200g, 155g ext.spring | WI46004680 |
| 80 | Nut for Retrofit solenoid, PP-40% | WI47004455 |
| 90 | Body retrofit solenoid, Light red, 3S20, standard exhaust | WI47004440 |
| 100 | O-ring for exhaust solenoid, 4.0x2.0mm, brown, viton | WI47004460 |
| 110 | O-ring for body solenoid, 18.72x2.62mm, green, viton | WI47004465 |



Solenoid, Retrofit, PP, 3S20, Green O-ring (47004405)

Teejet (small) [Fits Ø 6.8 - 7.4mm]

| Reference | Description | Part number |
|-----------|--|-------------|
| 10 | Nut for coil, PP-15%, 7 way grip | WI47004475 |
| 20 | O-ring for J-coil, under nut, 12.5x2.0mm, green, viton | WI46003067 |
| 30 | J-coil, 12V=5W, integrated superseal 1.5 | WI46003065 |
| 40 | O-ring for solenoid plunger tube, 8,73 x 1,78mm, viton | WI46004440 |
| 50 | Tube operator, M14x1, SS, extended 7mm square | WI47004470 |
| 60 | O-ring for tube operator M14, 11.11x1.78mm, green, viton | WI47004467 |
| 70 | Plunger stainless steel with grooves, FPV – Viton Plus seal, PTFE bumpstop 200g, 155g ext.spring | WI46004680 |
| 80 | Nut for Retrofit solenoid, PP-40% | WI47004455 |
| 90 | Body retrofit solenoid, Light red, 3S20, standard exhaust | WI47004440 |
| 100 | O-ring for exhaust solenoid, 3.69x1.78mm, green, viton | WI47004462 |
| 110 | O-ring for body solenoid, 18.72x2.62mm, green, viton | WI47004465 |



10



20



30



40



50



60



70



80



90



100

Solenoid, Retrofit, PP, 3P20, Black O-ring (47004410)

Teejet (big), Wilger [Fits Ø 7.75 - 8.35mm]

| Reference | Description | Part number |
|-----------|--|-------------|
| 10 | Nut for coil, PP-15%, 7 way grip | WI47004475 |
| 20 | O-ring for J-coil, under nut, 12.5x2.0mm, green, viton | WI46003067 |
| 30 | J-coil, 12V=5W, integrated superseal 1.5 | WI46003065 |
| 40 | O-ring for solenoid plunger tube, 8,73 x 1,78mm, viton | WI46004440 |
| 50 | Tube operator, M14x1, SS, extended 7mm square | WI47004470 |
| 60 | O-ring for tube operator M14, 11.11x1.78mm, green, viton | WI47004467 |
| 70 | Plunger stainless steel with grooves, FPV – Viton Plus seal, PTFE bumpstop 200g, 155g ext.spring | WI46004680 |
| 80 | Body retrofit solenoid, Dark red, 3P20, large exhaust | WI47004441 |
| 90 | O-ring for exhaust solenoid, 4.47x1.78mm, black, viton | WI47004461 |
| 100 | O-ring for body solenoid, 18.72x2.62mm, green, viton | WI47004465 |



10



20



30



40



50



60



70



80



90



100



110



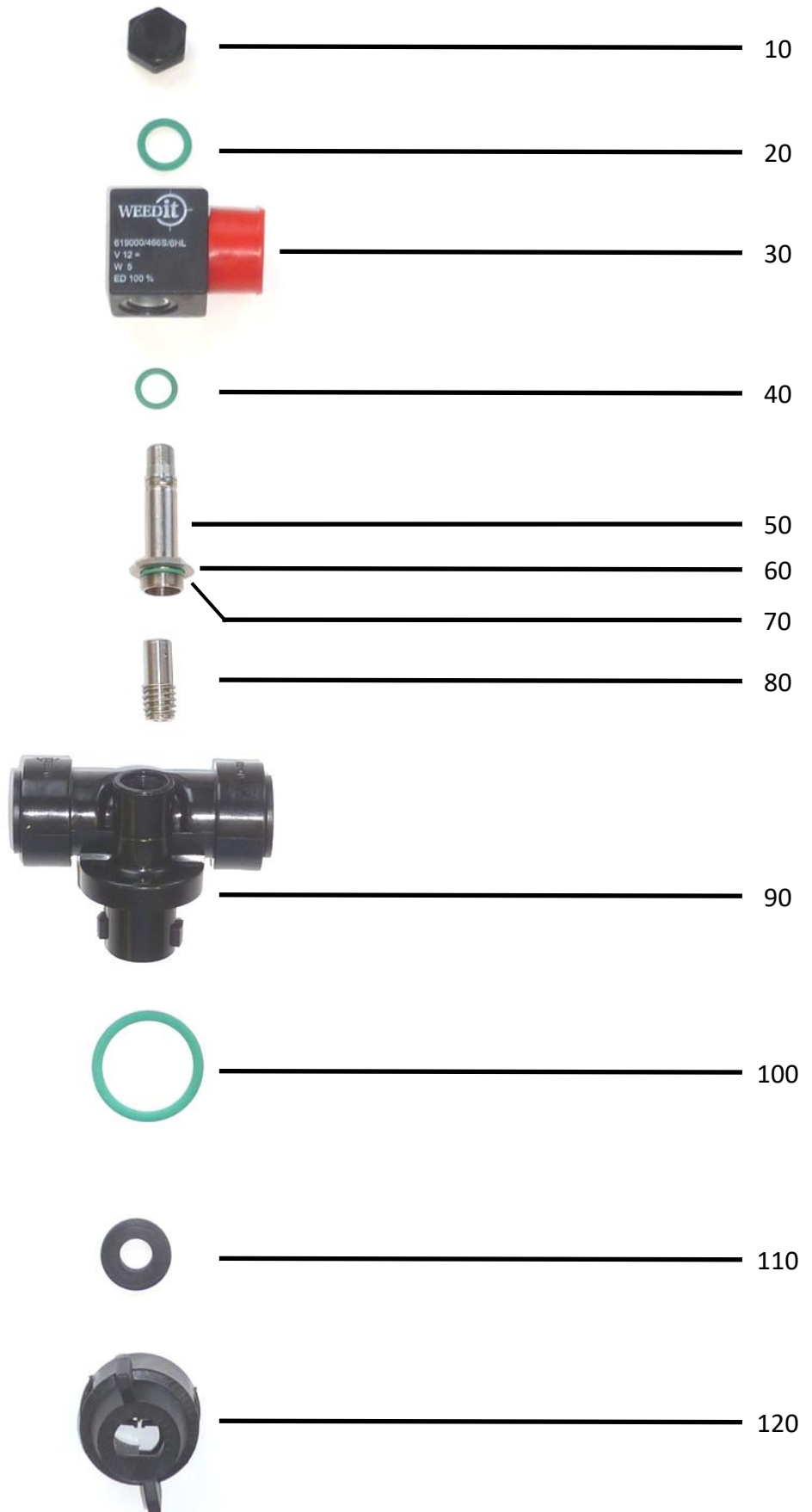
120



130

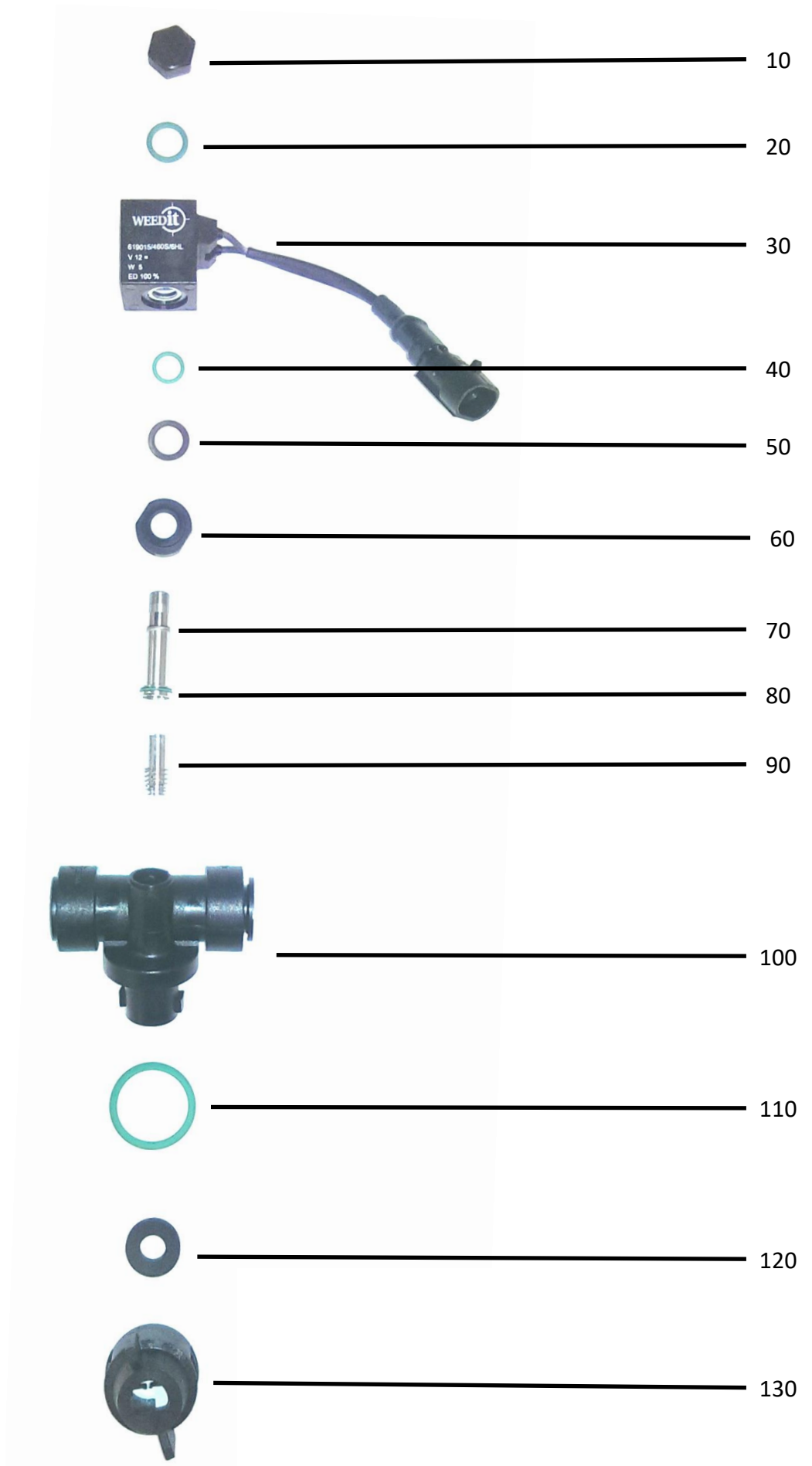
WEEDit Ag solenoid V1 (46004452)

| Reference | Description | Part number |
|-----------|--|-------------|
| 10 | Nut, closed, for solenoid | WI46000998 |
| 20 | O-ring for solenoid plunger tube, 11,3 x 2,4mm, viton | WI46004442 |
| 30 | Coil 12Volt, 5 Watt, 9mm for solenoid 46004452 and 46004453 | WI46004467 |
| 40 | O-ring for solenoid plunger tube, 8,73 x 1,78mm, viton | WI46004440 |
| 50 | Tube operator for solenoid 46004452 and 46004453, long thread | WI46004464 |
| 60 | O-ring for tube operator, 10 x 1mm, viton | WI46004443 |
| 70 | Plunger stainless steel with grooves, FPV – Viton Plus seal, PTFE bumpstop 200g, 155g ext.spring | WI46004680 |
| 80 | T-piece, 1/4" male - 12mm - 12mm, BSPT, PA66, blue | WI46004480 |
| 90 | Ring for solenoid V1, SS | N/A |
| 100 | Solenoid body, PP, 1/4" in-outlet, for 46004452 (V1) | WI46004469 |
| 110 | Quick Teejet Body, 1/4" thread female | QJ1/4TT-NYB |
| 120 | Seat gasket EPDM for Quick TeeJet Cap | CP19438-EPR |
| 130 | QuickJet Cap, nylon, black includes gasket | 25612-1-NYR |
| | | |


















WEEDit Ag solenoid V2 (46004453)

| Reference | Description | Part number |
|-----------|--|-------------|
| 10 | Nut, closed, for solenoid | WI46000998 |
| 20 | O-ring for solenoid plunger tube, 11,3 x 2,4mm, viton | WI46004442 |
| 30 | Coil 12Volt, 5 Watt, 9mm for solenoid 46004452 and 46004453 | WI46004467 |
| 40 | O-ring for solenoid plunger tube, 8,73 x 1,78mm, viton | WI46004440 |
| 50 | Tube operator for solenoid 46004452 and 46004453, long thread | WI46004464 |
| 60 | Shim ring 0,25mm, 12 x 18mm, SS | N/A |
| 70 | O-ring for tube operator, 10 x 1mm, viton | WI46004443 |
| 80 | Plunger stainless steel with grooves, FPV – Viton Plus seal, PTFE bumpstop 200g, 155g ext.spring | WI46004680 |
| 90 | Solenoid body, Push-fit, POM, molded, threaded tube | WI46004461 |
| 100 | O-ring for Molded body, push fit solenoid, viton | WI46004441 |
| 110 | Seat gasket EPDM for Quick TeeJet Cap | CP19438-EPR |
| 120 | QuickJet Cap, nylon, black includes gasket | 25612-1-NYR |
| | | |



WEEDit Ag solenoid V3 (46004454)

| Reference | Description | Part number |
|-----------|--|-------------|
| 10 | Nut, closed, for solenoid | WI46000998 |
| 20 | O-ring for solenoid plunger tube, 11,3 x 2,4mm, viton | WI46004442 |
| 30 | Coil 12V-5 Watt, flying leads, 2 way TE connector | WI46003060 |
| 40 | O-ring for solenoid plunger tube, 8,73 x 1,78mm, viton | WI46004440 |
| 50 | Shim for bajonet solenoid | WI46003053 |
| 60 | Bajonet ring for solenoid, PA6 | WI46003052 |
| 70 | Tube operator, stainless steel, for bajonet | WI46003055 |
| 80 | O-ring for tube operator, 10 x 1mm, viton | WI46004443 |
| 90 | Plunger stainless steel with grooves, FPV – Viton Plus seal, PTFE bumpstop 200g, 155g ext.spring | WI46004680 |
| 100 | Solenoid body, push fit, bajonet, PA6 | WI46003050 |
| 110 | O-ring for Molded body, push fit solenoid, viton | WI46004441 |
| 120 | Seat gasket EPDM for Quick TeeJet Cap | CP19438-EPR |
| 130 | QuickJet Cap, nylon, black | A40299001 |
| | | |

| | | |
|---|-------|-----|
|  | _____ | 10 |
|  | _____ | 20 |
|  | _____ | 30 |
|  | _____ | 40 |
|  | _____ | 50 |
|  | _____ | 60 |
|  | _____ | 70 |
|  | _____ | 80 |
|  | _____ | 90 |
|  | _____ | 100 |
|  | _____ | 110 |
|  | _____ | 120 |
|  | _____ | 130 |
|  | _____ | 140 |
|  | _____ | 150 |

WEEDit Ag solenoid V4 (46004456)

| Reference | Description | Part number |
|-----------|--|----------------------------|
| 10 | Nut, closed, for solenoid | WI46000998 |
| 20 | O-ring for solenoid plunger tube, with J-coil, 12,5 x 2,0mm, viton | WI46003067 |
| 30 | J-coil, 12V, 5W, Superseal 1.5 connector | WI46003065 |
| 40 | O-ring for solenoid plunger tube, 8,73 x 1,78mm, viton | WI46004440 |
| 50 | Shim for bajonet solenoid | WI46003053 |
| 60 | Bajonet ring for solenoid, PA6 | WI46003052 |
| 70 | O-ring for bajonet cap, 6,8 x 0,6mm, viton | WI46003058 |
| 80 | Tube operator, stainless steel, for bajonet ring | WI46003055 |
| 90 | O-ring for tube operator, 10 x 1mm, viton | WI46004443 |
| 100 | Plunger stainless steel with grooves, FPV – Viton Plus seal, PTFE bumpstop 200g, 155g ext.spring | WI46004680 |
| 110 | Solenoid body, push fit, bajonet, PA6 | WI46003050 |
| 120 | O-ring for Molded body, push fit solenoid, viton | WI46004441 |
| 130 | Seat gasket EPDM for Quick TeeJet Cap | CP19438-EPR |
| 140 | Spray nozzle, 40 degree, TP#3, Even spray, SS | TP4003E-SS |
| 150 | QuickJet Cap, nylon, black includes gasket | A40299001 |
| | JET FULL CONE AFT 80DEG RED CAP BLACK TO SUIT HOLLOW CONE NOZ | AZ-ATF-04-80C A40290501 |



10



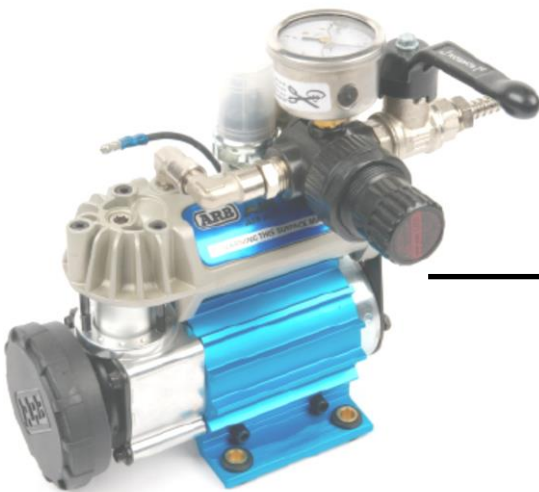
20



30



40



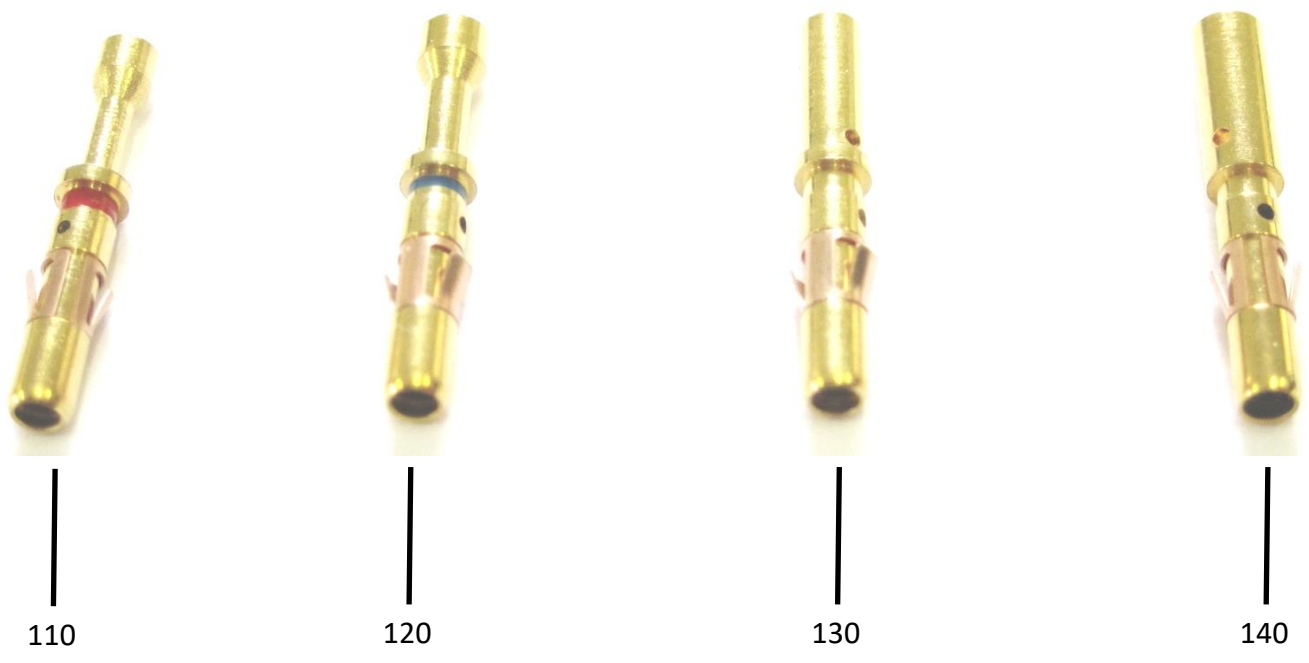
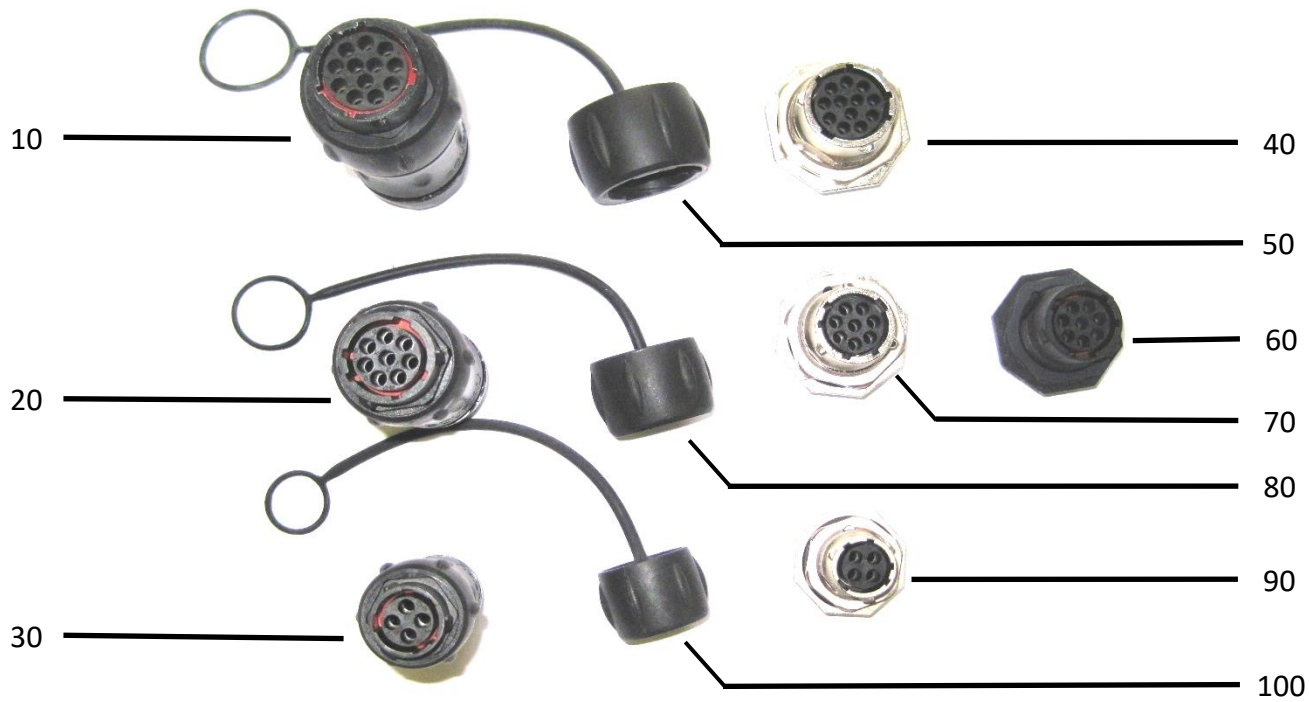
50



50

Extra parts

| Reference | Description | Part number |
|-----------|---|--------------------------------------|
| 10 | Flowsensor Raven RFM-60P, 3,8 – 208 L/min, 4 way plug | AC554808D1 |
| 20 | Pressure transducer, 0-6Bar, M12 connection, output 0-5Volt | WI46001808 |
| 30 | Extension cable for press/flow sensor, 4 way inline, 5 mtr | WI46004428 |
| 40 | Induction Sensor cable M12 - 4 way plug, 5 mtr | WI46004426 |
| 50 | Air compressor kit 12V compact, ARB CKSA12 Air compressor Pressure switch CKSA12 (Pre 2017) Air compressor 12V air ride | WI46004652 WI46004652-1 BP-606 |



WEEDit Ag female connectors

| Reference | Description | Part number |
|-----------|---|-------------|
| 10 | Inline receptacle + black shell, socket contact, Shell 14, 12 way, IP68 | WI46004543 |
| 20 | Inline receptacle + black shell, socket contact, Shell 12, 8 way, IP68 | WI46004542 |
| 30 | Inline receptacle + black shell, socket contact, Shell 10, 4 way, IP68 | WI46004541 |
| 40 | Jam nut metal shell 14, 12 way, socket contact, IP68 | N/A |
| 50 | Dustcap for shell 14 (12 way) Jam nut | WI46004573 |
| 60 | Jam nut plastic shell 12, 8 way, socket contact, IP68 | WI46004552 |
| 70 | Jam nut metal shell 12, 8 way, socket contact, IP68 | WI46004562 |
| 80 | Dustcap for shell 12 (8 way) Jam nut | WI46004572 |
| 90 | Jam nut metal shell 10, 4 way, socket contact, IP68 | N/A |
| 100 | Dustcap for shell 10 (4 way) Jam nut | WI46004571 |

Socket contacts

| Reference | Description | Part number |
|-----------|---|-------------|
| 110 | Socket contact size 16, 26-24 AWG, gold plated, machined (RC24M9K) | WI46001923 |
| 120 | Socket contact size 16, 22-20 AWG, gold plated, machined (RC20M12K) | WI46001920 |
| 130 | Socket contact size 16, 20-16 AWG, gold plated, machined (RC16M23K) | WI46001925 |
| 140 | Socket contact size 16, 16-14 AWG, gold plated, machined (RC14M30K) | WI46001927 |



70

80

90

100

WEEDit Ag male connectors

| Reference | Description | Part number |
|-----------|---|-------------|
| 10 | Cable plug + black Shell, pin contact, Shell 10, 4 way, IP68 | WI46004536 |
| 20 | Cable plug + black Shell, pin contact, Shell 12, 8 way, IP68 | WI46004537 |
| 30 | Cable plug + black Shell, pin contact, Shell 14, 12 way, IP68 | WI46004538 |
| 40 | Dustcap, UTS, for 4 way Plug | WI46004576 |
| 50 | Dustcap, UTS, for 8 way Plug | WI46004577 |
| 60 | Dustcap, UTS, for 12 way Plug | WI46004578 |

Pin contacts

| Reference | Description | Part number |
|-----------|--|-------------|
| 70 | Pin contact size 16, 26-24 AWG, gold plated, machined (RM24M9K) | WI46001924 |
| 80 | Pin contact size 16, 22-20 AWG, gold plated, machined (RM20M12K) | WI46001921 |
| 90 | Pin contact size 16, 20-16 AWG, gold plated, machined (RM16M23K) | WI46001926 |
| 100 | Pin contact size 16, 16-14 AWG, gold plated, machined (RM14M30K) | WI46001928 |



← 10



← 20



← 30



← 40



← 50



← 60



← 70

Croplands Parts

| Reference | Description | Part number |
|-----------|--|---|
| 10 | VISIO MULTI FUNCTION VIEWER | A4670610 |
| 20 | RAM MOUNT FOR BRAVO | A467040.660 |
| 30 | CABLE 3PIN 3M EXTENSION CABLE 3PIN 5M EXTENSION | A466553.220 A466553.230 |
| 40 | LEVEL SENSOR | A466113.004 |
| 50 | SWITCH BOX 2 SECTION SOLENOID | A46685211 |
| 60 | SWITCH BOX WEEDIT HYD 9 FUNCTION FACE PLATE HYD SWBOX – WEEDIT VER3 | A46697040CL MP-423W2 |
| 70 | CABLE HYDRAULIC 4 + 3 10 METRE (NOT PICTURED)+ EXTENSION CABLE 3MT FOR CONTROL BOX (alternative) | A466970705.100C A4669001.090 (GC00902016) |

| | | |
|---------------------------------|---|----------------------|
| Reference 60: (PREVIOUS VER) | SWITCH BOX HYD 7 FUNCTION VER 2 FACE PLATE HYD SWBOX - WEEDIT VER2 | A46697040 MP-423W |
|---------------------------------|---|----------------------|



← 10



← 20



← 30



← 40



← 50



← 60

Croplands Parts

| Reference | Description | Part number |
|-----------|--|------------------------------------|
| 10 | BRAVO 180S WITH 5 SECTION BROADACRE | A467180501 |
| 20 | BRAVO 180 LOOM TRACTOR END | CBLOOM/B180 |
| 30 | POWER LOOM | MT90LOOM/PWR |
| 40 | POWER LOOM EXTENSION 9.5M POWER LOOM EXTENSION 4.5M | MT90LOOM/PWREX9 MT90LOOM/PWREXT |
| 50 | JUNCTION BOX SUIT CBLOOM/1A LOOM | CBLOOM/3A |
| 60 | ARAG SPEED SENSOR | A467100.086 |
| 60 | SPEED SENSOR | UP402 |



← 10



← 20



← 30



← 40



← 50

← 60

← 70

Croplands Parts

| Reference | Description | Part number |
|------------------|------------------------------|--------------------|
| 10 | AIR COMPRESSOR 12V AIR RIDE | BP-606 |
| 20 | AIR FILTER SOLBERG | BP-623 |
| 30 | PRESSURE SWITCH - COMPRESSOR | BP-609 |
| 40 | SCHRADER VALVE 1/8 BSP | MP-391A-2 |
| 50 | COMPRESSOR LOOM – DUAL RELAY | CBLOOM/COMPA |
| 60 | | |
| 70 | | |



← 10



← 20



← 30



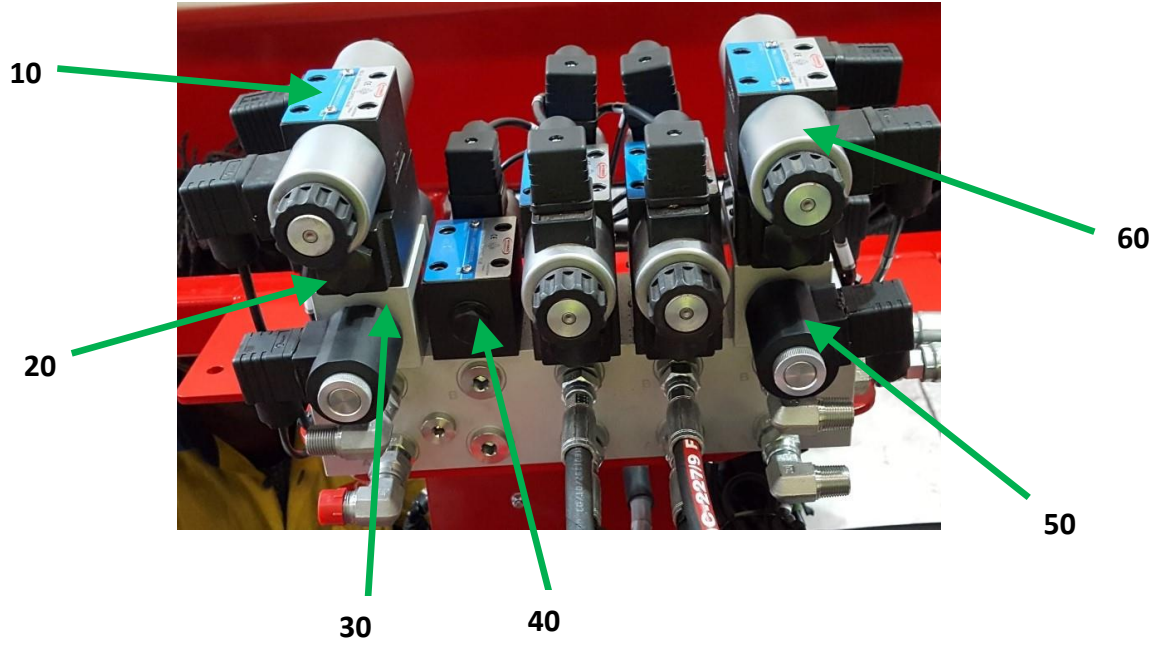
← 40

← 50

← 60

Croplands Parts

| Reference | Description | Part number |
|------------------|-----------------------------------|--------------------|
| 10 | WEEDIT SPARE PARTS KIT | MP-376 |
| 20 | COUPLER 3 PIN VITON ENVIRO | L-H9562A |
| 30 | RINSING SOCKET SUIT 3 PIN COUPLER | L-H9556 |
| 40 | CABLE BA/HB TO ARAG FLOW METER | UP-409A |
| 50 | | |
| 60 | | |
| 70 | | |



← 10



← 20



← 30



← 30a



← 40

← 50



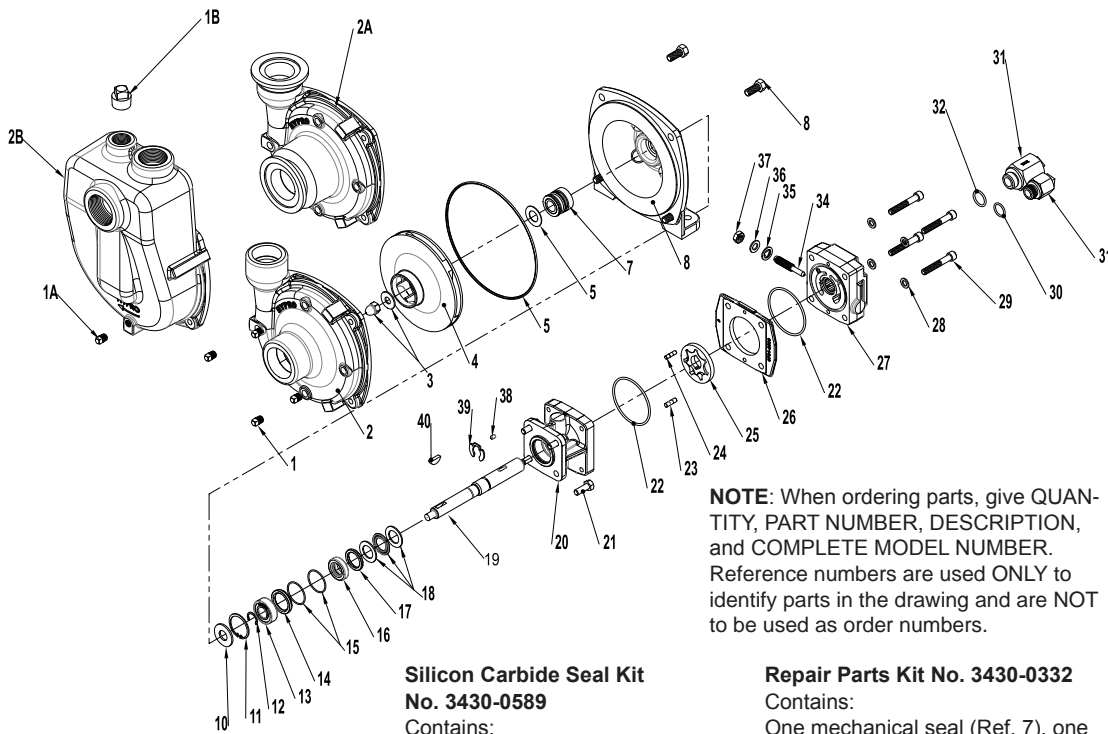
← 60

Croplands Parts

| Reference | Description | Part number |
|------------------|--|-----------------------|
| 10 | CETOP 3 VALVE DOUBLE ACTING | MP-630-2 |
| 20 | DOUBLE ACTING LOCK VALVE | MP-630-6 |
| 30 30a | FLOAT CONTROL VALVE – SINGLE ACTING FLOAT CONTROL VALVE – DOUBLE ACTING | MP-630-5 MP-630-5A |
| 40 | CETOP 3 VALVE SINGLE ACTING | MP-630-1 |
| 50 | VALVE COIL FLOAT CONTROL | MP-630-5-1 |
| 60 | VALVE COIL CETOP3 12V | MP-630-3 |
| | | |

Replacement Parts

The following drawings show the pumps and their replacement parts. **Only genuine replacement parts should be used. Failure to follow this warning can result in damage to property, serious injury or death.** If the pump malfunctions or is defective, it should be sent back to Hypro for service.



**Silicon Carbide Seal Kit
No. 3430-0589**
Contains:
Mechanical seal (Ref. 7) and o-ring (Ref. 5).

NOTE: When ordering parts, give QUANTITY, PART NUMBER, DESCRIPTION, and COMPLETE MODEL NUMBER. Reference numbers are used ONLY to identify parts in the drawing and are NOT to be used as order numbers.

Repair Parts Kit No. 3430-0332
Contains:
One mechanical seal (Ref. 7), one o-ring (Ref. 5) and one rubber gasket (Ref. 6).

9303C(S)-HM1C, 2, 3, 4, 5 & -U and 9303C(S)-SP- HM1, 2, 3, 4, 5

Adapter Kit No. 3430-0187 (HM2 and HM4 Modes Only) Contains one each:
No. 3373-0020 (Size #1)
No. 3373-0021 (Size #2)
No. 3373-0022 (Size #3)
No. 1720-0108 Adapter O-ring and
No. 1720-0105 Orifice O-ring

SP Chamber Kit No. 3430-0480SP
Contains: One chamber with wear ring. (Ref. 2) one o-ring (Ref. 5), one drain vent plug (Ref. 1) and one vent plug (Ref. 1A).

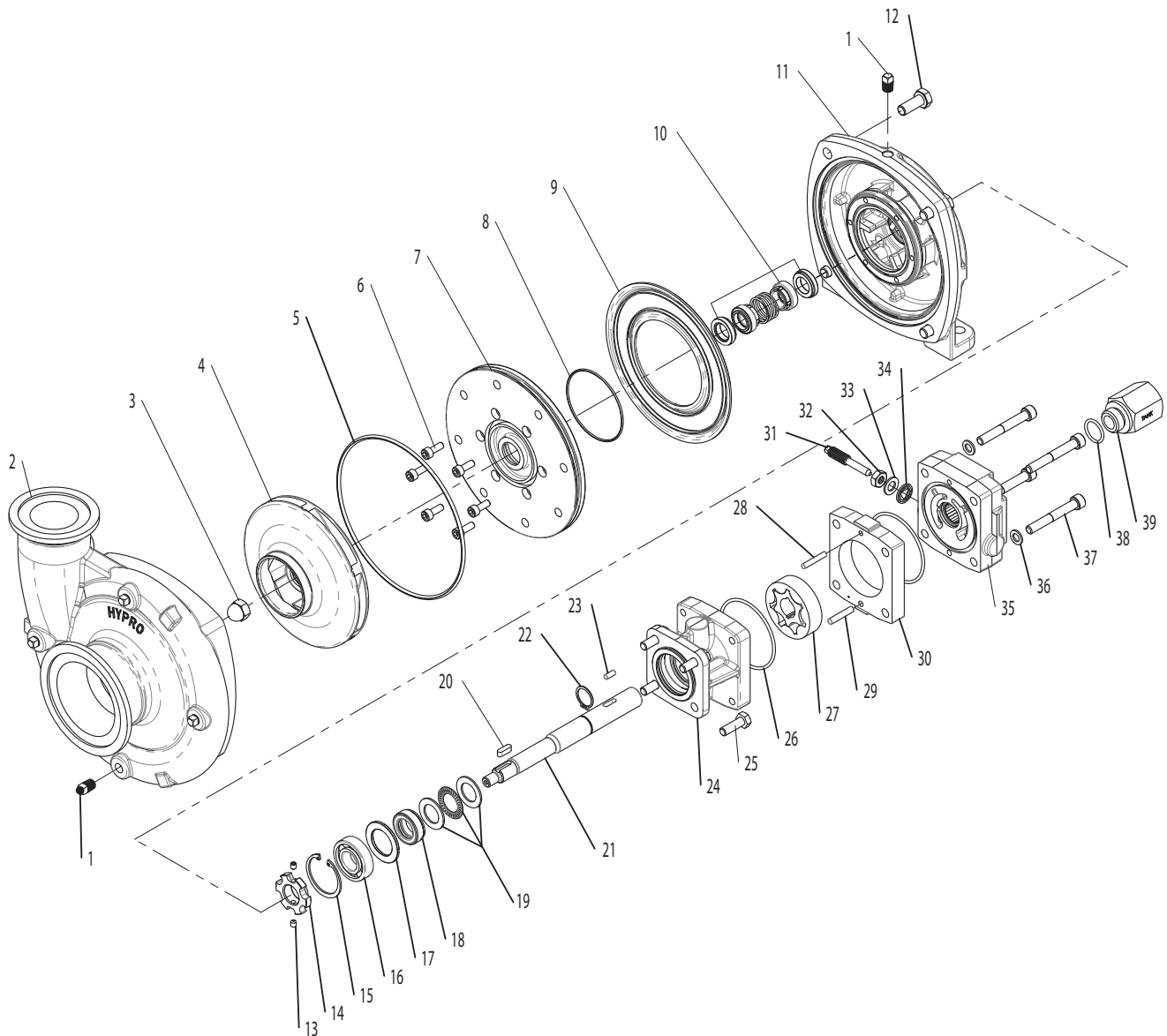
Parts Kit No. 3430-0748
Contains: One each ball bearing (Ref. 13), motor shaft seal (Ref. 16), thread seal gasket (Ref. 35), two cartridge o-rings (Ref. 15), and washer (Ref. 36); two each motor housing o-rings (Ref. 22), and port adapter o-rings (Ref. 30 & 32).

Hydraulic Motor Part Nos.
2500-0081C (HM1C Models)
2500-0082C (HM2C Models)
2500-0083C (HM3C Models)
2500-0084C (HM4C Models)
2500-0085C (HM5C Models)

| Ref. No. | Qty. Req'd. | Part No. | Description | Ref. No. | Qty. Req'd. | Part No. | Description |
|----------|-------------|-------------|---|----------|-------------|-------------|---|
| 1 | 4 | 2406-0007 | Drain/Vent Plug (9303C) | 23 | 1 | 1600-0045 | Dowel Pin (HM2C / HM4C) |
| 1 | 4 | 2406-0016 | Drain/Vent Plug (9303S) | 23 | 1 | 1600-0044 | Dowel Pin (HM1C/HM5C) |
| 1A | 4 | 2406-0007 | Drain/Vent Plug | 23 | 1 | 1600-0052 | Dowel Pin (HM3C) |
| 1B | 4 | 2406-0001 | Vent Plug | 24 | 1 | 1600-0042 | Dowel Pin (HM2C / HM4C) |
| 2 | 1 | 0150-9000C | Pump Casing (Model 9303C) | 24 | 1 | 1600-0037 | Dowel Pin (HM1C/HM5C) |
| 2 | 1 | 0150-9000S | Pump Casing (Model 9303S) | 24 | 1 | 1600-0068 | Dowel Pin (HM3C) |
| 2A | 1 | 0153-9000C | Pump Casing (Universal Flange Model C-U) | 25 | 1 | 3900-0022 | Gerotor (HM1C) |
| 2A | 1 | 0153-9000S | Pump Casing (Universal Flange Model S-U) | 25 | 1 | 3900-0023 | Gerotor (HM2C) |
| 2B | 1 | 0150-9070CM | Pump Casing | 25 | 1 | 3900-0024 | Gerotor (HM3C) |
| 3 | 1 | 3430-0825 | Impeller Nut (9303C) | 25 | 1 | 3900-0025 | Gerotor (HM4C) |
| 3 | 1 | 3430-0825 | Impeller Nut (9303S) | 25 | 1 | 3900-0048 | Gerotor (HM5C) |
| 4 | 1 | 0401-9100P | Impeller (Nylon Std. 9303C) | 26 | 1 | 0701-2500C1 | Gerotor Housing (HM2C Models) 1/4" wide |
| 4 | 1 | 0402-9100P | Impeller (Polypropylene Optional) (Std 9303S) | 26 | 1 | 0700-2500C1 | Gerotor Housing (HM1C Models) 1/2" wide |
| 5 | 1 | 1720-0083 | O-ring | 26 | 1 | 0703-2500C1 | Gerotor Housing (HM4C Models) 5/16" wide |
| 6 | 1 | 1700-0100 | Gasket | 26 | 1 | 0702-2500C1 | Gerotor Housing (HM3C Models) 1" wide |
| 7 | 1 | 2120-0009 | Mechanical Seal (Viton/Ceramic) (Std 9303C) | 26 | 1 | 0704-2500C1 | Gerotor Housing (HM5C Models) 5/8" wide |
| 7 | 1 | 3430-0589 | Mechanical Seal (Silicon Carbide) (Std 9303S) | 27 | 1 | 0254-2500C2 | Motor End Plate (includes needle bearing) |
| 8 | 1 | 0750-9300C | Mounting Flange (9303C) | 28 | 4 | 2270-0039 | Washer |
| 8 | 1 | 0756-9300S | Mounting Flange (9303S) | 29 | 4 | 2220-0045 | Cap Screw (HM2C / HM4C Models) |
| 9 | 4 | 2210-0020 | Hex Head Cap Screw (9303C) | 29 | 4 | 2220-0021 | Cap Screw (HM1C Models) |
| 9 | 4 | 2210-0125 | Hex Head Cap Screw (9303S) | 29 | 4 | 2220-0044 | Cap Screw (HM3C Models) |
| 10 | 1 | 1410-0056 | Slinger Ring | 29 | 4 | 2220-0032 | Cap Screw (HM5C Models) |
| 11 | 1 | 1810-0014 | Snap Ring | 30 | 1 | 1720-0108 | O-ring |
| 12 | 1 | 1820-0013 | Retaining Ring | 31 | 1 | 3360-0021A | Pressure Port Adapter (includes o-ring) |
| 13 | 1 | 2000-0010 | Ball Bearing | 32 | 1 | 1720-0262 | O-ring |
| 14 | 1 | 1410-0131 | Cartridge, Front | 33 | 1 | 3320-0051A | Tank Port Adapter (includes o-ring) |
| 15 | 2 | 1720-0268 | O-ring | 34 | 1 | 3220-0029 | Bypass Adjusting Screw |
| 16 | 1 | 3430-0748 | Lip Seal | 35 | 1 | 1700-0047 | Gasket |
| 17 | 1 | 1410-0130 | Seal Spacer | 36 | 1 | 2270-0027 | Washer |
| 18 | 1 | 2029-0014 | Thrust Bearing Assembly | 37 | 1 | 2250-0038 | Lock Nut |
| 19 | 1 | 3430-0850 | Shaft (HM2C/HM4C) | 38 | 1 | 1610-0032 | Roll Pin (HM2C / HM4C) |
| 19 | 1 | 3430-0852 | Shaft (HM1C/HM5C) | 38 | 1 | 1610-0031 | Roll Pin (HM1C / HM5C) |
| 19 | 1 | 3430-0855 | Shaft (HM3C) | 38 | 1 | 1610-0055 | Roll Pin (HM3C) |
| 20 | 1 | 0150-2500C | Motor Body (includes needle bearing) | 39 | 1 | 1810-0026 | Snap Ring |
| 21 | 4 | 2210-0005 | Hex Head Cap Screw | 40 | 1 | 1610-0012 | Woodruff Key (9303C) |
| 22 | 2 | 1720-0110 | O-ring | 40 | 1 | 04432 | Woodruff Key (9303S) |

Model 9316 Part Illustrations and Repair Kits

Includes Models 9316C3U(S3U) -M08, -M08Y, M10, -M10Y, and -M16



Pump Repair Kit No. 3430-0948

Contains: O-rings (Ref. 5 & 8), mechanical seal (Ref. 10), Membrane (Ref. 9), Pump Chamber Fluid, and seal installation tool

Pump Repair Kit No. 3430-0947

Contains: same as 3430-0948, except installation tool not included.

Parts Kit No. 3430-0949

Contains: One each ball bearing (Ref. 16), motor shaft seal (Ref. 18), thread seal gasket (Ref. 34), washer (Ref. 33), two each motor housing o-rings (Ref. 26), and port adaptor o-ring (Ref. 38)

Replacement Chamber Fluid #2160-0096

Contains: 23 oz of chamber fluid, pre-mixed.

NOTE: When ordering parts, give quantity, part number, description and complete model number. Reference numbers are used ONLY to identify parts in the drawing and are NOT to be used as order numbers.

Hydraulic Motor Part Nos.

- 2500-0801C (M08Y models)
- 2500-0802C (M08 models)
- 2500-1001C (M10Y models)
- 2500-1002C (M10 models)
- 2500-1602C (M16 models)

| Ref. No. | Qty. Req'd. | Part No. | Description |
|----------|-------------|-------------|---|
| 1 | 5 | 2406-0016 | Drain/Vent Plug (SS) |
| 2 | 1 | 0158-9310C | Pump Casing (9316C3U) |
| 2 | 1 | 0158-9310SM | Pump Casing (9316S3U) |
| 3 | 1 | 2253-0015 | Impeller Nut |
| 4 | 1 | 0401-9316 | Impeller |
| 5 | 1 | 1720-0292 | O-ring, Large |
| 6 | 6 | 2220-0124 | Socket Head Cap Screw |
| 7 | 1 | 0751-9310 | Plate, Front Chamber |
| 8 | 1 | 1720-0294 | O-ring, Small |
| 9 | 1 | 2535-0015 | Membrane |
| 10 | 1 | 2120-0069 | Mechanical Seal, Double (Silicon Carbide) |
| 11 | 1 | 0752-9310C | Mounting Flange |
| 12 | 4 | 2210-0194 | Hex Head Cap Screw |
| 13 | 2 | 2230-0051 | Socket Set Screw |
| 14 | 1 | 1410-0137 | Tone Wheel |
| 15 | 1 | 1820-0039 | Retaining Ring |
| 16 | 1 | 2000-0017 | Ball Bearing |
| 17 | 1 | 1410-0145 | Spacer |
| 18 | 1 | 2104-0011 | Motor Lip Seal |
| 19 | 2 | 2029-0010 | Thrust Bearing Assy |
| 20 | 1 | 1610-0072 | Shaft Key |
| 21 | 1 | 0533-2510 | Shaft (M08/M10 Motor) |
| 21 | 1 | 0533-2512 | Shaft (M16 Motor) |
| 22 | 1 | 1810-0011 | Retaining Ring |
| 23 | 1 | 1610-0031 | Roll Pin (M08/M10 Motor) |
| 23 | 1 | 1610-0055 | Roll Pin (M16 Motor) |
| 22 | 1 | 1810-0011 | Retaining Ring |
| 23 | 1 | 1610-0032 | Roll Pin (M04/M05 Motor) |
| 23 | 1 | 1610-0031 | Roll Pin (M08/M10 Motor) |
| 23 | 1 | 1610-0055 | Roll Pin (M16 Motor) |
| 24 | 1 | 0150-2517C | Motor Body (std) |
| 24 | 1 | 0150-2515C | Motor Body (Y series case drain motors) |

| Ref. No. | Qty. Req'd. | Part No. | Description |
|----------|-------------|-------------|---|
| 25 | 4 | 2210-0209 | Hex Head Cap Screw |
| 26 | 2 | 1720-0110 | O-ring |
| 27 | 1 | 3900-0022 | Gerotor (M08 Motor) |
| 27 | 1 | 3900-0048 | Gerotor (M10 Motor) |
| 27 | 1 | 3900-0024 | Gerotor (M16 Motor) |
| 28 | 1 | 1600-0084 | Dowel Pin, Small (M08/M10 Motor) |
| 28 | 1 | 1600-0085 | Dowel Pin, Small (M16 Motor) |
| 29 | 1 | 1600-0095 | Dowel Pin, Large (M08/M10 Motor) |
| 29 | 1 | 1600-0096 | Dowel Pin, Large (M16 Motor) |
| 30 | 1 | 0720-2603 | Gerotor Housing (M08 Motor) |
| 30 | 1 | 0720-2604 | Gerotor Housing (M10 Motor) |
| 30 | 1 | 0720-2606 | Gerotor Housing (M16 Motor) |
| 31 | 1 | 3220-0029 | Bypass Screw (Std Motor) |
| 32 | 1 | 2250-0038 | Lock Nut, Bypass (Std Motor) |
| 33 | 1 | 2270-0027 | Washer, Bypass (Std Motor) |
| 34 | 1 | 1700-0047 | Gasket, Bypass Screw (Std Motor) |
| 35 | 1 | 0254-2500C2 | Motor End Plate (Std Motor) |
| 35 | 1 | 0254-2500C3 | Motor End Plate (Y series motors, no Bypass) |
| 36 | 4 | 2270-0039 | Washer |
| 37 | 4 | 2220-0135 | Socket Head Cap Screw (M08 Motor) |
| 37 | 4 | 2210-0204 | Socket Head Cap Screw (M10 Motor) |
| 37 | 4 | 2210-0208 | Socket Head Cap Screw (M16 Motor) |
| 38 | 1 | 1720-0262 | O-ring, Check valve |
| 39 | 1 | 3320-0052A | Motor Check Valve Assy (includes o-ring) |
| n/a | 1 | 2160-0096 | Seal Chamber Fluid (not shown, pump requires 10.5 oz) |