

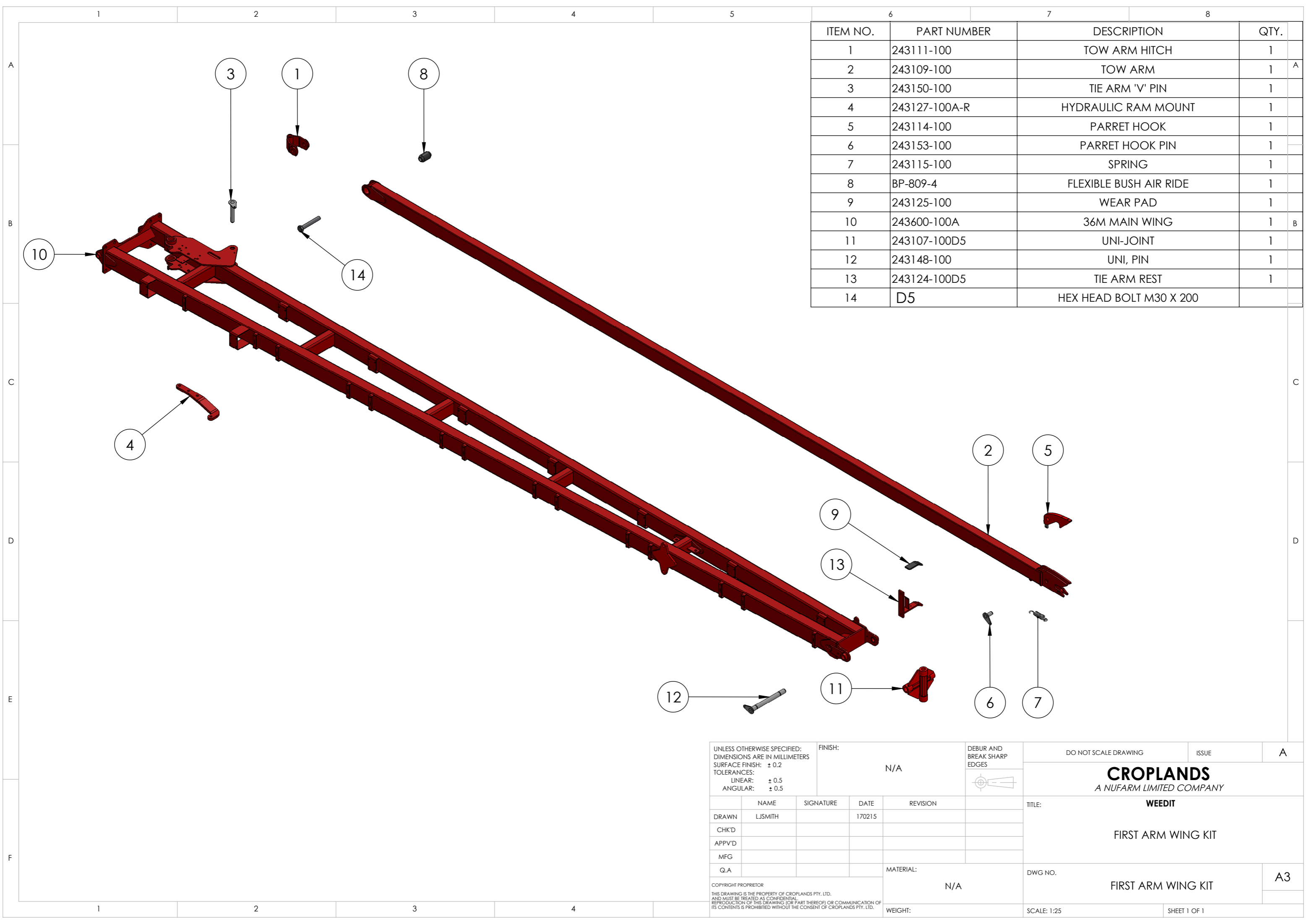
E8	PART NUMBER	DESCRIPTION	QTY.
1	A106320	TAIL 3/4"	2
2	A106533	TAIL 1 1/4" TO 32MM	1
3	A116313	ELBOW D13 FOR FLY NUT 3/4"	8
4	A116320	ELBOW 3/4" - 20MM HOSE	2
5	A116533	ELBOW 1 1/4" - 32MM HOSE	1
6	A1302050	TEE 1 1/4"	8
7	A200030	FLY NUT 3/4"	12
8	A200050	FLY NUT 1 1/4"	2
9	A245035	REDUCER 3/4" MALE - 1 1/4" FEMALE	8
10	A250050	NIPPLE 1 1/4"	10
11	AB243000-110A	STEERING CASTOR KIT SHADOW BOOM	1
12	AB243000-200	FIRST ARM WING KIT SHADOW BOOM	1
13	AB243000-400	OUTRIGGER SUPPORT KIT SHADOW BOOM	1
14	AB243000-700A	BOOM BUMPER KIT 18-36M	1
15	AB243130-300A	SPRAYBAR BRKT WITH CAMERA BRKT	6
16	AB243130-300B	BRACKET SPRAYBAR	2
17	AB243204-110	50MM PIN	1
18	AG10031	O RING 3/4"	12
19	AG10051	O RING 1 1/4"	2
20	HP-015	HYDRAULIC CYLINDER 2.0 X 8	1
21	MP-320	2 SENSOR NOZZLE BRK	1
22	MP-321	3 SENSOR NOZZLE BRK.	2
23	MP-330	NOZZLE PROTECTION RAIL 10 HOLES	1
24	MP-331	NOZZLE PROTECTION RAIL 15 HOLES	2
25	MP-340	SENSOR BRACKET	7
26	MP-340A	SENSOR BRACKET	1
27	MP-350	POLYPIPE 1 1/4" 950MM	7
28	MP-354	3/4" 2200 POLYTUBE	14
29	MP-360	END CAP 15mm JOHN GUEST	6
30	MP-361	TEE 15mm JOHN GUEST	6
31	MP-361	TEE 15MM JOHN GUEST	2
33	PH4322	SOCKET 3/4"	12
34	QJ39685-2-500-N	TEE BODY	16
35	UP-429	CLAMP PP SINGLE 43MM	14
36	UP-431	3/4" Stauff Clamp	28
37	WI46004407	WEEDIT SENSOR VER201 1	8
38	WI46004491L	195MM LONG **SPARE COMES IN 1	29
39	WI46004491L	70MM LONG **SPARE COMES IN 1 METRE	16
40	WI6004450	SOLENOID SET COMPLETE NOZZLE ASSY	40
41	WI6004492	PUSH FIT 15MM TO HOSE CON 12MM	6

MOUNTING OF AB243000-700A ON OPPOSITE ARM

UNLESS OTHERWISE SPECIFIED: DIMENSIONS ARE IN MILLIMETERS SURFACE FINISH: ± 0.2 TOLERANCES: LINEAR: ± 0.5 ANGULAR: ± 0.5		FINISH: N/A	DEBUR AND BREAK SHARP EDGES	DO NOT SCALE DRAWING	ISSUE	A
DRAWN LJSMITH			SIGNATURE	DATE 17022015	REVISION	
CHKD						
APPVD						
MFG						
Q.A						
MATERIAL: N/A			DWG NO. SERIES 3 INNER ARM			
WEIGHT:			SCALE: 1:22			
SHEET 1 OF 1			A2			

CROPLANDS
A NUFARM LIMITED COMPANY

TITLE:
WEEDIT
SERIES 3 INNER ARM ASSEMBLY DRAWING



ITEM NO.	PART NUMBER	DESCRIPTION	QTY.
1	243111-100	TOW ARM HITCH	1
2	243109-100	TOW ARM	1
3	243150-100	TIE ARM 'V' PIN	1
4	243127-100A-R	HYDRAULIC RAM MOUNT	1
5	243114-100	PARRET HOOK	1
6	243153-100	PARRET HOOK PIN	1
7	243115-100	SPRING	1
8	BP-809-4	FLEXIBLE BUSH AIR RIDE	1
9	243125-100	WEAR PAD	1
10	243600-100A	36M MAIN WING	1
11	243107-100D5	UNI-JOINT	1
12	243148-100	UNI, PIN	1
13	243124-100D5	TIE ARM REST	1
14	D5	HEX HEAD BOLT M30 X 200	

UNLESS OTHERWISE SPECIFIED:
 DIMENSIONS ARE IN MILLIMETERS
 SURFACE FINISH: ± 0.2
 TOLERANCES:
 LINEAR: ± 0.5
 ANGULAR: ± 0.5

FINISH: N/A

DEBUR AND
 BREAK SHARP
 EDGES

DO NOT SCALE DRAWING ISSUE A

CROPLANDS
 A NUFARM LIMITED COMPANY

NAME	SIGNATURE	DATE	REVISION
DRAWN	LJSMITH	170215	
CHK'D			
APPV'D			
MFG			
Q.A			

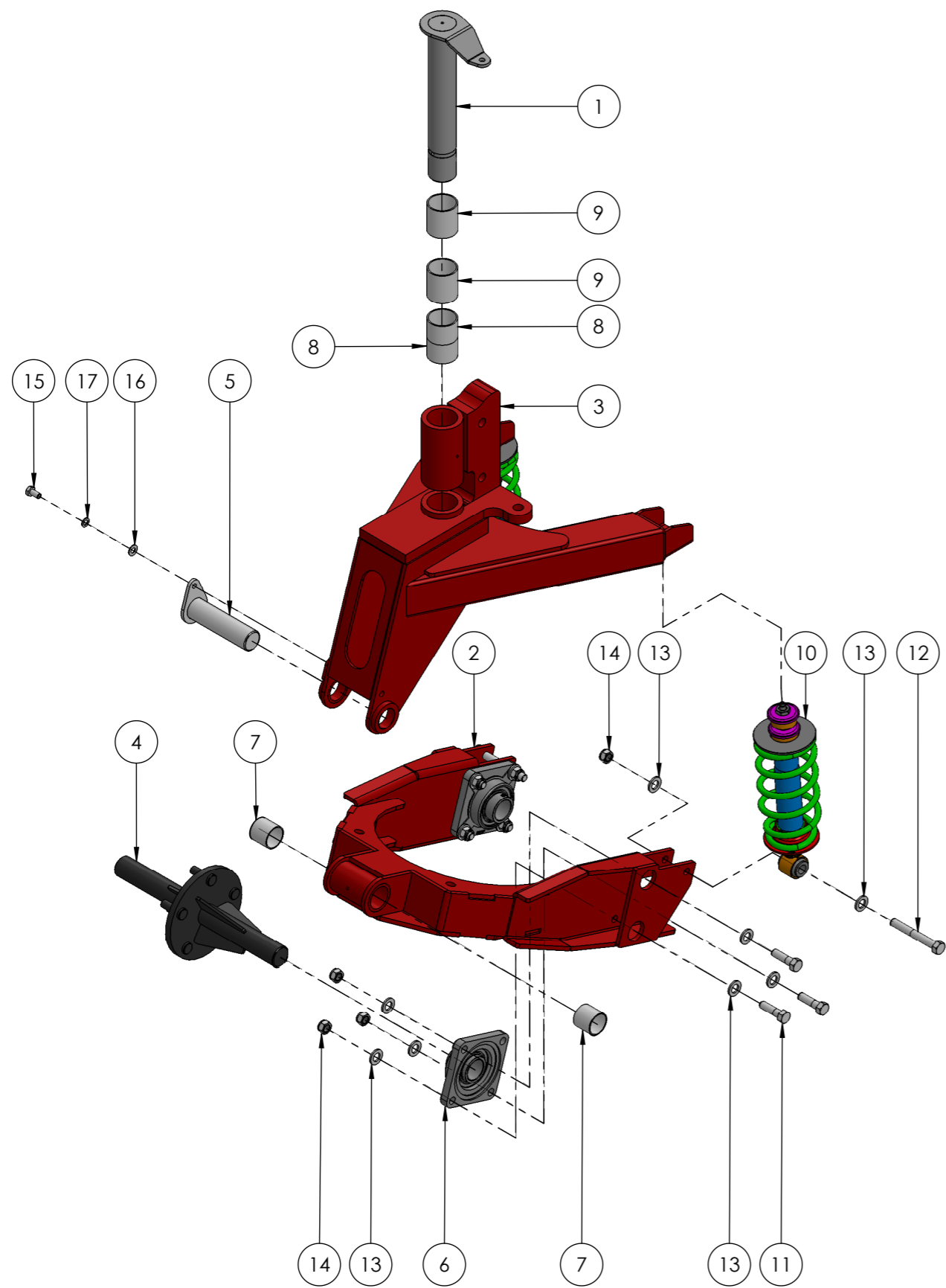
TITLE: **WEEDIT**
FIRST ARM WING KIT

DWG NO. **FIRST ARM WING KIT** A3

COPYRIGHT PROPRIETOR
 THIS DRAWING IS THE PROPERTY OF CROPLANDS PTY. LTD.
 AND MUST BE TREATED AS CONFIDENTIAL.
 REPRODUCTION OF THIS DRAWING (OR PART THEREOF) OR COMMUNICATION OF
 ITS CONTENTS IS PROHIBITED WITHOUT THE CONSENT OF CROPLANDS PTY. LTD.

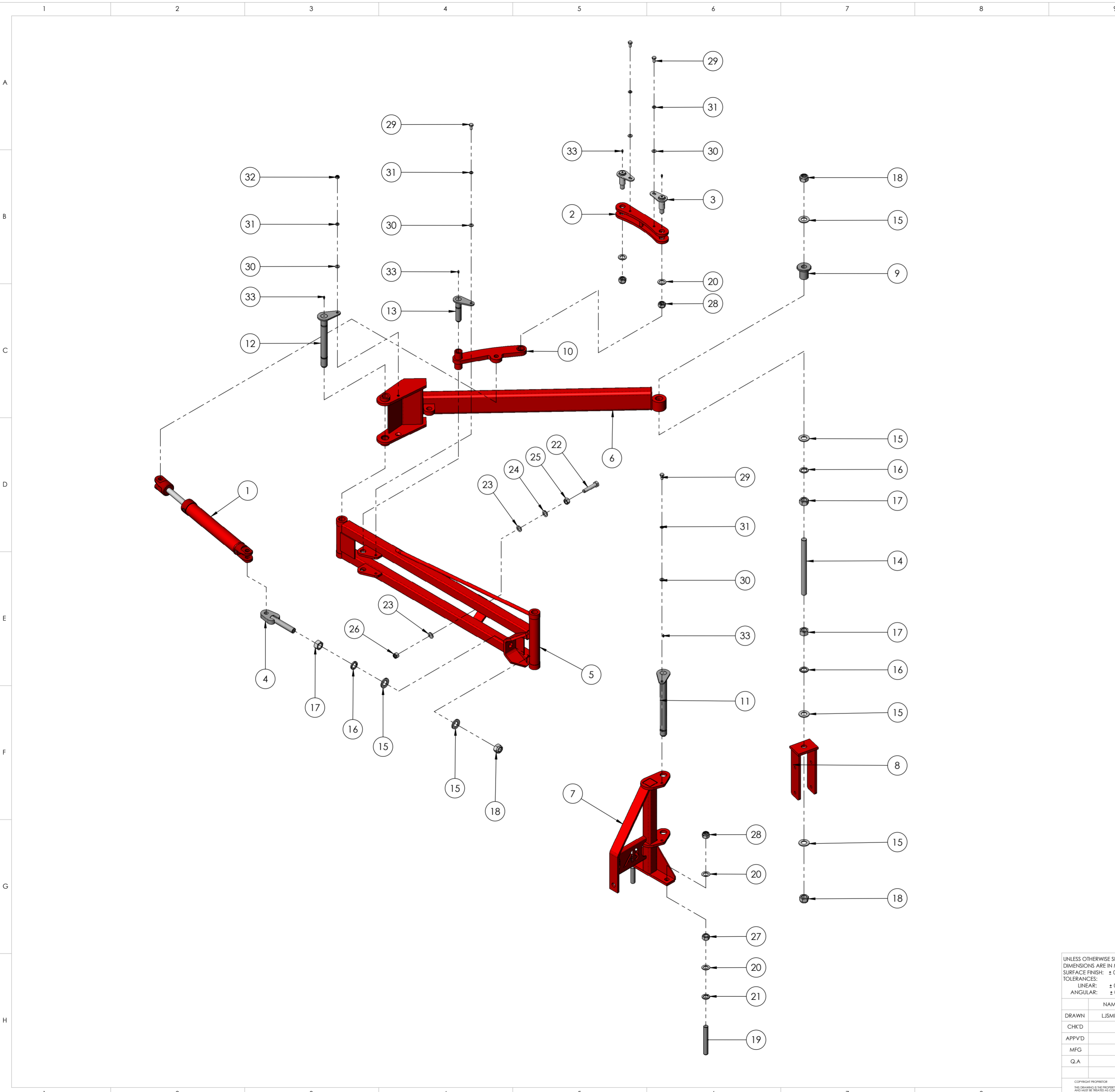
MATERIAL: N/A

WEIGHT: SCALE: 1:25 SHEET 1 OF 1



ITEM NO.	PART NUMBER	DESCRIPTION	QTY.
1	AB243204-110	50MM PIN	1
2	AB243901-110	STEERING WHEEL SWING ARM	1
3	AB243902-110	STEERING WHEEL CASTOR	1
4	AB243903-100	WEEDIT BOOM SUSPENSION AXLE	1
5	AB243904-110	STEERING WHEEL SWING ARM PIN	1
6	FYK 40 TF	40MM BEARING 102MM MOUNTING HOLES	2
7	PAP4040	PERMAGLIDE BUSH 40 X 40	2
8	PAP5040	PERMAGLIDE BUSH 50 X 40	2
9	PAP5060	PERMSGLIDE BUSH 50 X 60	2
10	MP-391	SHOCK ABSORBER HI RISE W/ COIL	2
11	M14X50	M14 X 120 BOLT HT ZP	6
12	M14X110	M14 X 110 BOLT HT ZP	2
13	M14FWASHER	M14 FLAT WASHER ZP	16
14	M14NNUT	M14 NYLOC NUT HT ZP	8
15	M10X20	M10 X 20 SET SCREW HT ZP	1
16	M10SSFWASHER	M10 S/S FLAT WASHER	1
17	M10SWASHER	M10 SPRING WASHER ZP	1

UNLESS OTHERWISE SPECIFIED: DIMENSIONS ARE IN MILLIMETERS SURFACE FINISH: ± 0.2 TOLERANCES: LINEAR: ± 0.5 ANGULAR: ± 0.5		FINISH: N/A		DEBUR AND BREAK SHARP EDGES 		DO NOT SCALE DRAWING		ISSUE		B																													
<table border="1"> <thead> <tr> <th>NAME</th> <th>SIGNATURE</th> <th>DATE</th> <th>REVISION</th> </tr> </thead> <tbody> <tr> <td>DRAWN</td> <td>LJSMITH</td> <td>180914</td> <td></td> </tr> <tr> <td>CHK'D</td> <td></td> <td></td> <td></td> </tr> <tr> <td>APPV'D</td> <td></td> <td></td> <td></td> </tr> <tr> <td>MFG</td> <td></td> <td></td> <td></td> </tr> <tr> <td>Q.A</td> <td></td> <td></td> <td></td> </tr> </tbody> </table>						NAME	SIGNATURE	DATE	REVISION	DRAWN	LJSMITH	180914		CHK'D				APPV'D				MFG				Q.A				<p align="center">CROPLANDS A NUFARM LIMITED COMPANY</p> <p align="center">WEEDIT</p> <p align="center">STEERING WHEEL ASSMEBLY</p>						TITLE:		A3	
						NAME	SIGNATURE	DATE	REVISION																														
						DRAWN	LJSMITH	180914																															
						CHK'D																																	
APPV'D																																							
MFG																																							
Q.A																																							
MATERIAL: N/A						DWG NO.		ASSEMBLY AB243000-110A																															
COPYRIGHT PROPRIETOR THIS DRAWING IS THE PROPERTY OF CROPLANDS PTY. LTD. AND MUST BE TREATED AS CONFIDENTIAL. REPRODUCTION OF THIS DRAWING (OR PART THEREOF) OR COMMUNICATION OF ITS CONTENTS IS PROHIBITED WITHOUT THE CONSENT OF CROPLANDS PTY. LTD.						WEIGHT:		SCALE: 1:10		SHEET 1 OF 1																													

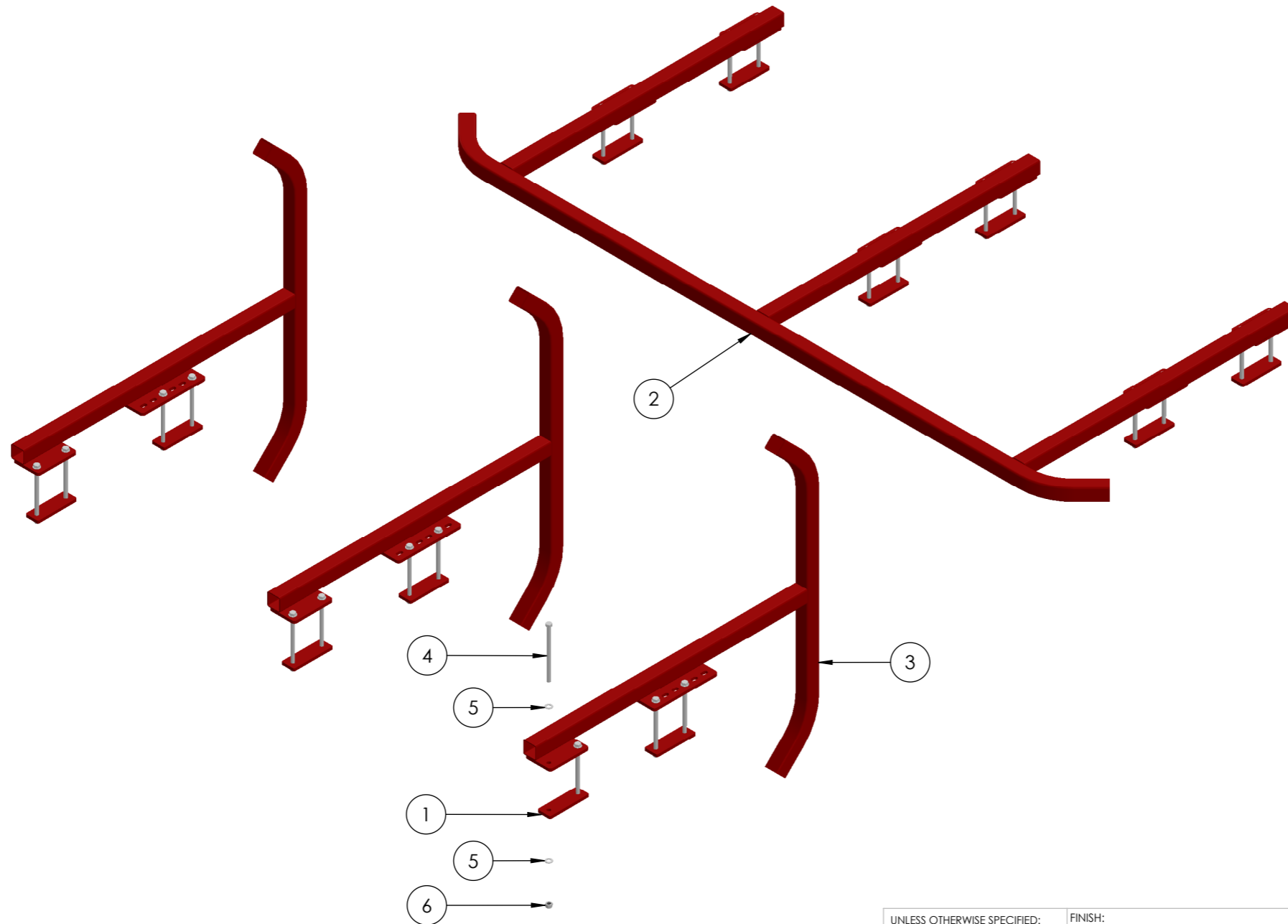


ITEM NO.	PART NUMBER	DESCRIPTION	QTY.
1	HP-012	HYDRAULIC CYLINDER 2.0 X 10	1
2		DOUBLE LINK PLATE	1
3		LINK PLATE PIN	2
4		ADJUSTMENT SCREW	1
5		FIRST SUPPORT ARM LH	1
6		SECOND ARM LH	1
7		SUPPORT ARM POVIT	1
8		SUPPORT ARM HITCH	1
9		POVIT POINT	1
10		SINGLE LINK ARM	1
11		PIN	1
12		PIN	1
13		PIN	1
14		M24 X 300 THREAD	1
15		M24 FLAT WASHER ZP	6
16		M24 SPRING WASHER ZP	3
17		M24 HEX NUT HT ZP	3
18		M24 NYLOC NUT ZP	3
19		M20 X 150 THREAD	2
20		M20 FLAT WASHER ZP	6
21		M20 SPRING WASHER ZP	2
22		M16 X 75 HEX HEAD SET SCREW HT ZP	1
23		M16 FLAT WASHER ZP	2
24		M16 SPRING WASHER	1
25		M16 HEX NUT HT ZP	1
26		M16 NYLOC NUT HT ZP	1
27		M20 HALF NUT ZP	2
28		M20 NYLOC NUT HT ZP	4
29		M10 X 20 SET SCREW HT ZP	4
30		M10 FLAT WASHER ZP	5
31		M10 SPRING WASHER ZP	5
32		M10 NYLOC NUT HT ZP	1
33		M6 GREASE NIPPLE	5

L.H. SHOWN, R.H. REQUIRED FOR COMPLETE BOOM

UNLESS OTHERWISE SPECIFIED: DIMENSIONS ARE IN MILLIMETERS SURFACE FINISH: ± 0.2 TOLERANCES: LINEAR: ± 0.5 ANGULAR: ± 0.5		FINISH: N/A	DEBUR AND BREAK SHARP EDGES	DO NOT SCALE DRAWING	ISSUE	A
DRAWN LJSMITH			SIGNATURE	DATE 030715	TITLE: CROPLANDS A NUFARM LIMITED COMPANY WEEDIT OUTRIGGER DOCKING KIT L.H.	
CHKD					DWG NO. AB243000-400L	
APPVD					A2	
MFG					SCALE: 1:12	
Q.A				MATERIAL: N/A	SHEET 1 OF 1	
<small>COPYRIGHT PROPRIETOR: THE DRAWING IS THE PROPERTY OF CROPLANDS PTY. LTD. ALL RIGHTS RESERVED. NO REPRODUCTION OR COMMUNICATION OF THIS DRAWING IS PERMITTED WITHOUT THE WRITTEN PERMISSION OF CROPLANDS PTY. LTD.</small>						

ITEM NO.	PART NUMBER	DESCRIPTION	QTY.
1	AB243000-700-1	MOUNTING PLATE	12
2	AB243000-700A-1-1	HORIZONTAL BUMPER	1
3	AB243000-700A-2-1	VERTICAL BUMPER	3
4		M12 X 150 BOLT HT ZP	24
5		M12 FLAT WASHER ZP	48
6		M12 NYLOC NUT HT ZP	24



UNLESS OTHERWISE SPECIFIED: DIMENSIONS ARE IN MILLIMETERS SURFACE FINISH: ± 0.2 TOLERANCES: LINEAR: ± 0.5 ANGULAR: ± 0.5		FINISH: N/A		DEBUR AND BREAK SHARP EDGES 		DO NOT SCALE DRAWING		ISSUE	A
						CROPLANDS A NUFARM LIMITED COMPANY			
						WEEDIT			
						BOOM BUMPER KIT 18-36M			
						DWG NO.		A3	
						AB243000-700A			
COPYRIGHT PROPRIETOR THIS DRAWING IS THE PROPERTY OF CROPLANDS PTY. LTD. AND MUST BE TREATED AS CONFIDENTIAL. REPRODUCTION OF THIS DRAWING (OR PART THEREOF) OR COMMUNICATION OF ITS CONTENTS IS PROHIBITED WITHOUT THE CONSENT OF CROPLANDS PTY. LTD.						MATERIAL: N/A		SCALE: 1:15	
						WEIGHT:		SHEET 1 OF 1	